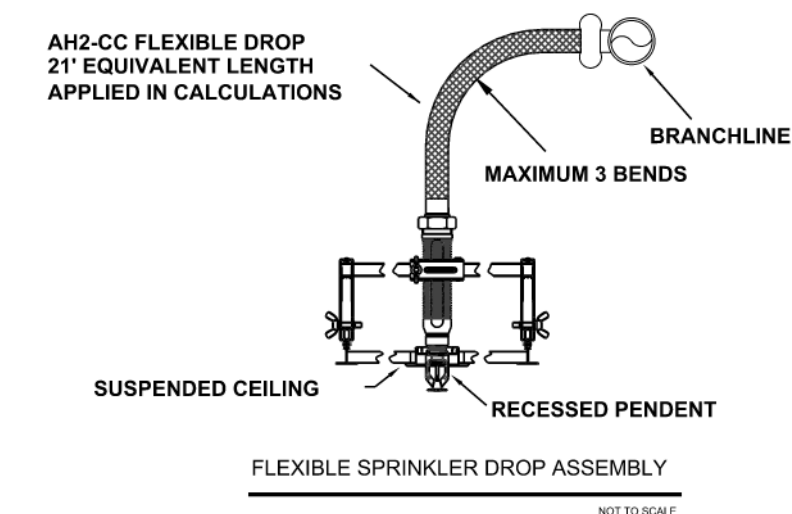


SCOPE OF WORK

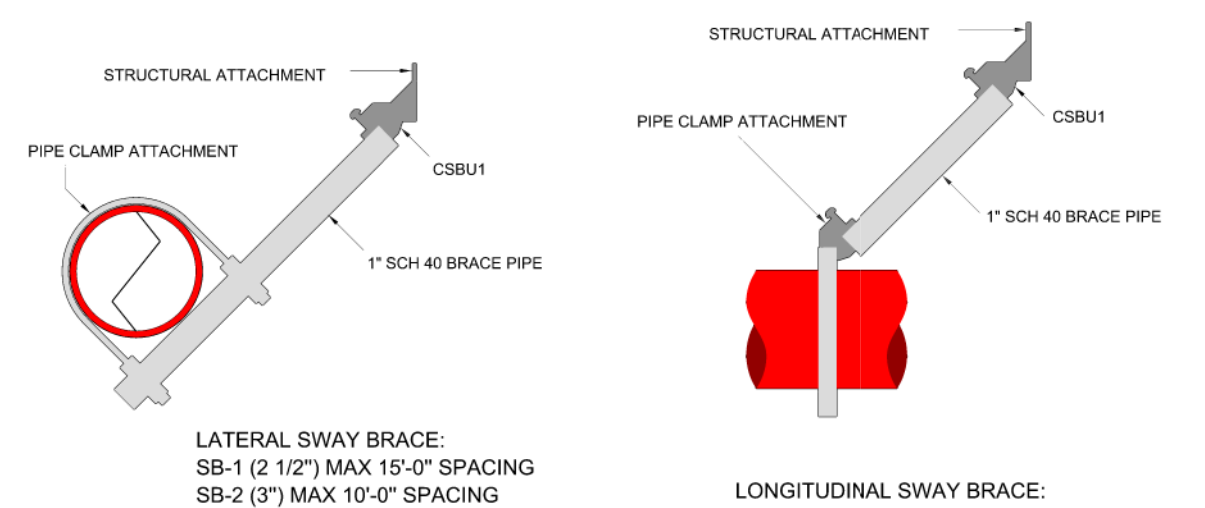
HAS BEEN CONTRACTED TO INSTALL A NEW ONE ZONE WET PIPE SPRINKLER SYSTEM IN A COMMERCIAL BUILDING. THE BUILDING WILL BE 3,159 SQ FT DESIGNED TO ORDINARY HAZARD 2. THIS DESIGN INCLUDES 104 NEW SSP SPRINKLERS WITH HEADS SPACED AT A MAXIMUM OF 130 SQ FT FOR O.H.2 AREAS. WHILE LIGHT HAZARD AREAS WILL BE COVERED BY 3 NEW SSP SPRINKLERS. NO WORK WILL BEGIN UNTIL PLANS HAVE BEEN APPROVED.

GENERAL INFORMATION

- INTERNATIONAL BUILDING CODE (2018)
 - OCCUPANCY: TYPE A-3, B
 - TYPE OF CONSTRUCTION: I-B
 - AUTHORITY HAVING JURISDICTION (A/H): RENO FIRE DEPARTMENT
 - SPRINKLERED AREAS (APPROXIMATE - SEE ARCHITECTURAL PLANS FOR ACTUAL)
 - LEVEL 1 = 3,159 S.F.
 - DESIGN & INSTALLATION STANDARDS: NFPA-13 (2016)
- SPRINKLER PIPE TYPES:
 - WET
 - 1" PIPE TO BE SCHEDULE 40 BLACK STEEL W/ THREADED FITTINGS
 - 1-1/2" THROUGH 3" MAINS & BRANCH LINES TO BE BLK SCHEDULE 10 W/ GROOVED FITTINGS
 - MAINS & BRANCH LINES TO BE ROLL-GROOVED BLK SCHEDULE 10
 - 2" AND LARGER TO USE GROOVED SHORT RADIUS FITTINGS
- DESIGN CRITERIA:
 - LIGHT HAZARD AREAS INCLUDE OFFICE/ADMINISTRATIVE, RESTROOMS, AND CORRIDORS
 - ORDINARY HAZARD GROUP I AREAS INCLUDE MECHANICAL AND ELECTRICAL ROOMS
 - ORDINARY HAZARD GROUP II AREAS INCLUDE SHELL SPACE & MAINTENANCE BAY
 - REMOTE AREA REDUCTIONS HAVE BEEN TAKEN WHERE APPLICABLE PER NFPA 13 SEC. 11.2.3.2.3
- NOTES:
 - ALL MATERIAL TO BE NEW AND MEET U.L. STANDARDS
 - HANGERS TO BE INSTALLED IN ACCORDANCE WITH NFPA 13 - SEE PLAN FOR HANGING REQUIREMENTS
- SYMBOLS USED ON DRAWINGS:
 - PIPE ELEVATION ABOVE FINISH FLOOR
 - PIPE ELEVATION BELOW TOP OF STEEL
 - ROOM HAZARD CLASSIFICATION (ALL ROOMS ARE CONSIDERED LIGHT HAZARD U.O.)
 - HYDRAULIC CALCULATION JUNCTION POINT
 - CEILING HEIGHT
 - FIRE RATED WALL
 - WET BLACK CROSS MAIN
 - WET BLACK BRANCHLINE, ARMORER, & DRAIN



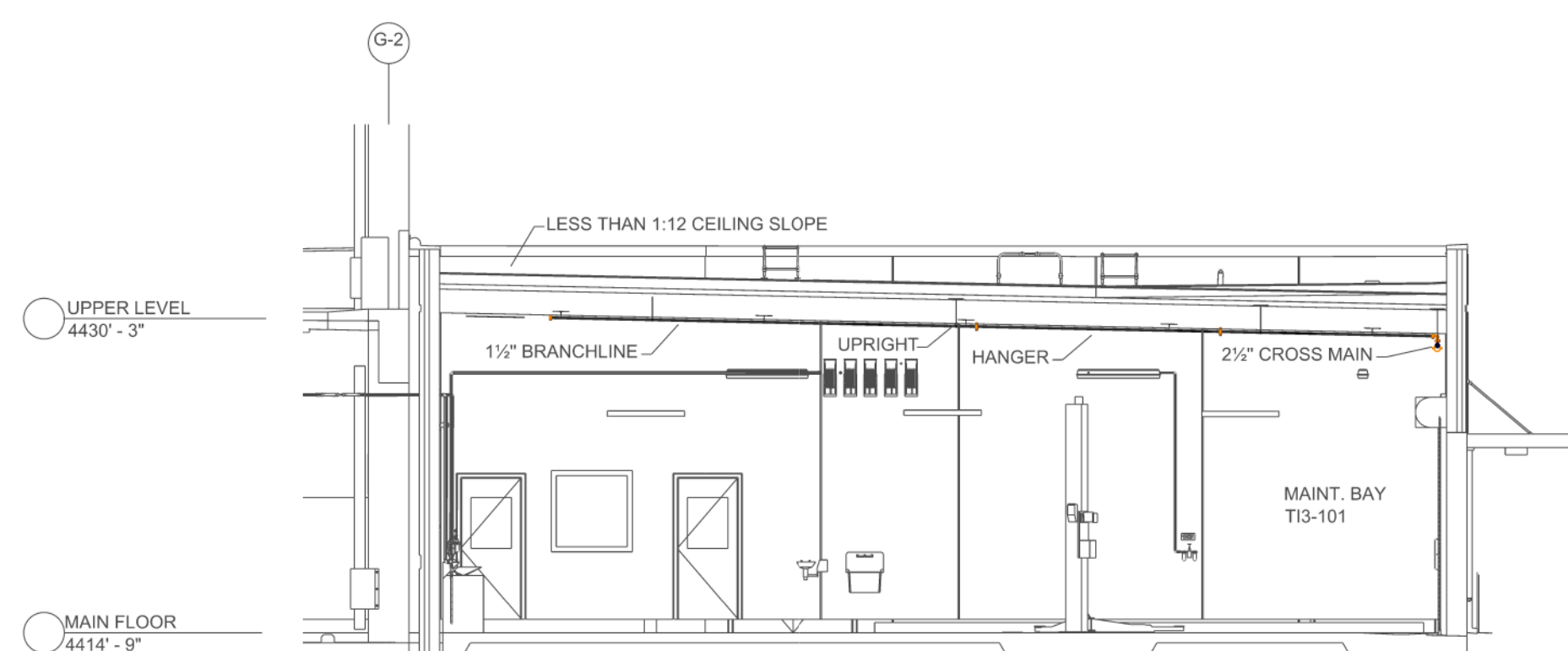
Sprinkler Legend							
Symbol	Manufacturer	SIN	Model	Quantity	K-Factor	Type	Note
○	Tyco	TY313	TY-FRB	104	5.6	Upright	1/2 Quick Brass 212°F N/A
○	Tyco	TY323	TY-FRB	3	5.6	Pendent	1/2 Quick Brass 155°F RECESSED
				Total = 107			



FLEXIBLE COUPLINGS SHALL BE INSTALLED AS FOLLOWS:

- WITHIN 24" OF TOP AND BOTTOM OF ALL RISERS
 - FLEXIBLE COUPLINGS MAY BE OMITTED ON RISERS LESS THAN 3'-0" IN LENGTH
 - ONLY ONE FLEXIBLE COUPLING ON RISERS 3'-0" TO 7'-0" IN LENGTH
- WITHIN 12" ABOVE AND WITHIN 24" BELOW THE FLOOR IN MULTISTORY BUILDINGS
 - RISERS UP TO 7'-0" IN LENGTH TERMINATING ABOVE A ROOF ASSEMBLY OR TOP LANDING MAY OMIT FLEXIBLE COUPLING ABOVE LANDING OR ROOF
 - ON BOTH SIDES OF CONCRETE OR MASONRY WALLS WITHIN 1'-0" OF THE WALL SURFACE, UNLESS CLEARANCE IS PROVIDED
 - WITHIN 24" OF BUILDING EXPANSION JOINTS (MORE FLEXIBILITY IS REQUIRED FOR SEISMIC JOINTS)
 - WITHIN 24" OF THE TOP OF DROPS EXCEEDING 15'-0" IN LENGTH TO PORTIONS OF SYSTEMS SUPPLYING MORE THAN ONE SPRINKLER, REGARDLESS OF PIPE SIZE
 - WITHIN 24" ABOVE AND 24" BELOW ANY INTERMEDIATE POINTS OF SUPPORT FOR A RISER OR OTHER VERTICAL PIPE

SEISMIC DETAILS

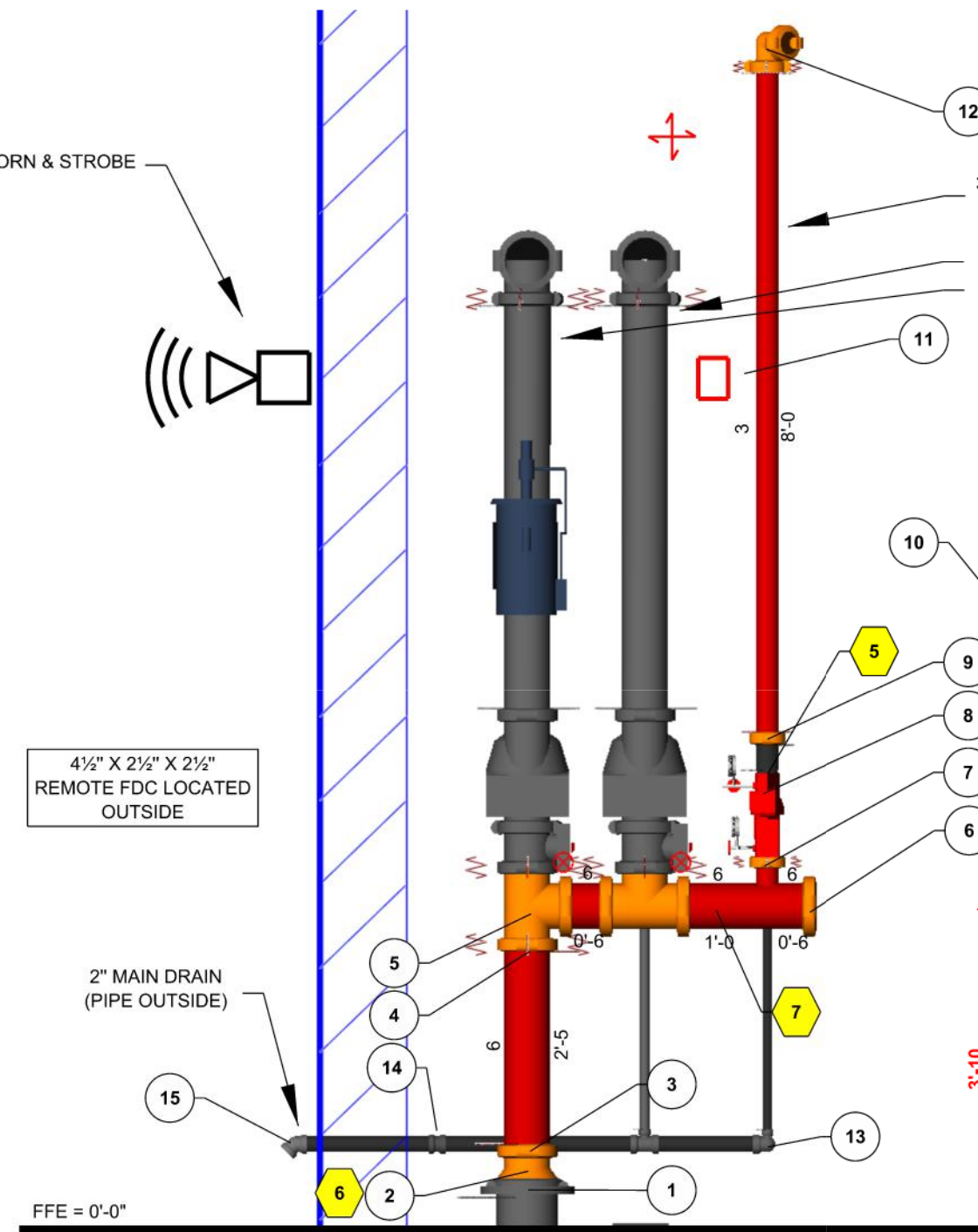


HANGER DETAILS



MAXIMUM DISTANCE BETWEEN HANGERS (FT.-IN.)

PIPE SIZE	3/4"	1"	1 1/4"	1 1/2"	2"	2 1/2"	3"	4"	6"	8"
STEEL PIPE EXCEPT THREADED LIGHTWALL	NA	12-0	12-0	15-0	15-0	15-0	15-0	15-0	15-0	15-0



Key Note	Size	Description	Quantity
1	8	Grooved IIR w/ Coupling	1
2	8 x 6	Grooved Concentric Reducer, DI, Org	1
3	6	Rigid Coupling, Org, E Gasket	1
4	6	Flexible Coupling, Org, E Gasket	1
5	6	Grooved Short Radius Tee, DI, Org	1
6	6	Grooved DI Cap	1
7	4	Flexible Coupling, Org, E Gasket	1
8	4	Victaulic UM w/ Bfly Valve, Flow Switch, Pressure Gage, Pressure Relief, & Inspector's Test & Drain	2
9	4	Rigid Coupling, Org, E Gasket	2
10	NA	Spare Head Cabinet Per NFPA 13	NA
11	NA	Hydraulic Pacard	NA
12	4	Grooved Short Radius 90, DI, Org	1
13	2 x 1 1/2	Threaded, 90° Reducing Elbow, DI	1
14	2	Threaded Coupling, DI	1
15	2	Threaded, 45° Elbow, MI, Galv	1

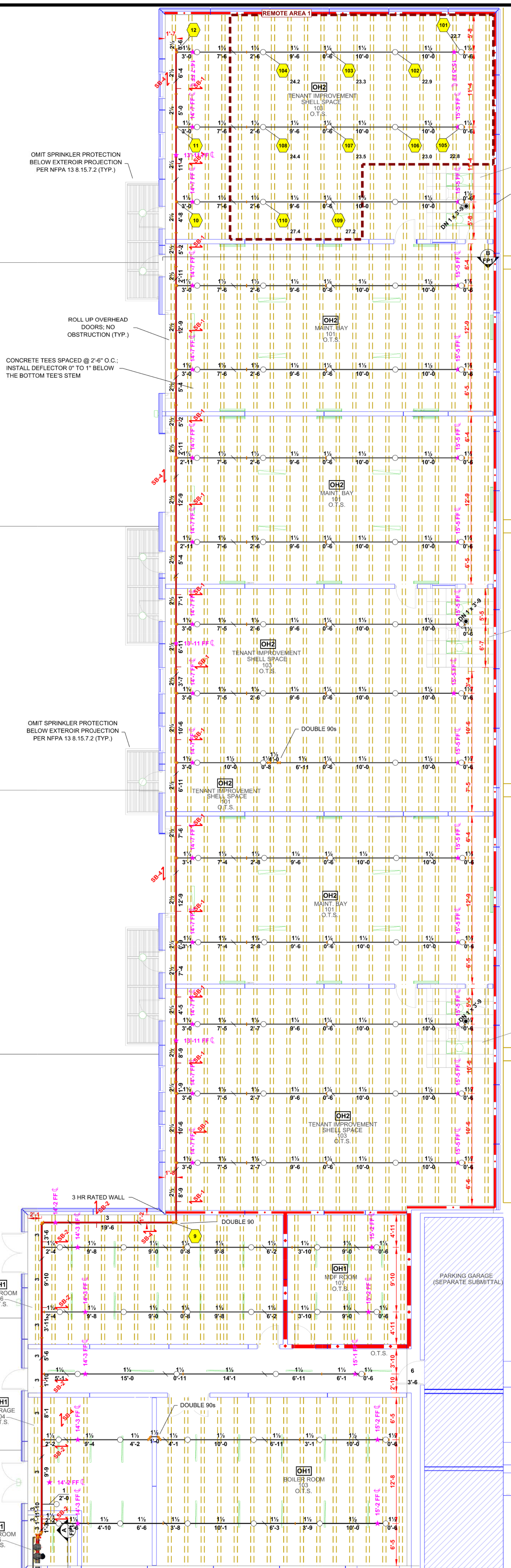
RISER DETAIL

SCALE: 1/2" = 1'-0"



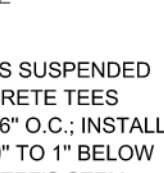
MAIN LEVEL FIRE SPRINKLER PLAN

SCALE: 1/8" = 1'-0"



TENANT SPACE 103	
OCCUPANCY CLASSIFICATION	Ordinary Group II
DENSITY (gpm/ft²)	0.20 for 1500ft² (Actual 1129ft²)
QUICK RESPONSE REDUCTION	17'-0" Ceiling (29.5%) 1058ft²
TOTAL HOSE STREAMS	250.0
TOTAL HEADS FLOWING	10
K-FACTOR	5.6
TOTAL WATER REQUIRED	491.4
TOTAL PRESSURE REQUIRED	74.1
BASE OF RISER (gpm)	241.4
BASE OF RISER (psi)	64.3
SAFETY MARGIN (psi)	+11.2 (13.1%)

AIR VENT NOTE:
AS STATED IN A.1.16.6: AT THE DISCRETION OF THE INSTALLER, AUTOMATIC AIR VENTS ARE TO BE INSTALLED BY ONE OF THE FOLLOWING METHODS:
(1) MANUAL VALVE, MIN 12"
(2) AUTOMATIC AIR VENT
(3) OTHER APPROVED MEANS



GYPSUM TILES SUSPENDED BELOW CONCRETE TEES SPACED @ 2'-0" O.C. INSTALL DEFLECTOR 0" TO 1" BELOW THE BOTTOM TEE'S STEM



ROLL UP OVERHEAD DOORS: NO OBSTRUCTION (TYP.)



CONCRETE TEES SPACED @ 2'-6" O.C. INSTALL DEFLECTOR 0" TO 1" BELOW THE BOTTOM TEE'S STEM



Branch Line Restraint Pipe Attachment

Part Number CSBRRP150EG Pipe Size 1 1/2" Rod Size 3/8"

Branch Line Restraint Structure Attachment to Wood/Concrete

Part Number CSBBSR1EG Rod Size 3/8" Screw Diameter 1/4" Screw Length 1 3/4" Drill Bit Diameter 3/16"



HOSE ALLOWANCE TAKEN HERE

DCDA BACKFLOW (BY OTHERS)

4 1/2" x 2 1/2" x 2 1/2" REMOTE FDC (BY OTHERS)

FLOW TEST EFFECTIVE POINT

FIRE SPRINKLER RISER: SEE DETAIL A

CONRAC ADMIN MAINTENANCE FFE = 4414'-9"

MEADOWS WATER AUTHORITY ON 8-5-2025

LOCATION: 10" MAIN ON TERMINAL WAY

FLOW TEST INFO: STATIC = 86 PSI RESID = 76 PSI FLOW = 2000 GPM

CONDUCTED BY TRUCKEE

MEADOWS WATER AUTHORITY ON 8-5-2025

CONRAC ADMIN MAINTENANCE FFE = 4414'-9"

MEADOWS WATER AUTHORITY ON 8-5-2025

CONRAC ADMIN MAINTENANCE FFE = 4414'-9"

MEADOWS WATER AUTHORITY ON 8-5-2025

CONRAC ADMIN MAINTENANCE FFE = 4414'-9"

MEADOWS WATER AUTHORITY ON 8-5-2025

CONRAC ADMIN MAINTENANCE FFE = 4414'-9"

MEADOWS WATER AUTHORITY ON 8-5-2025

CONRAC ADMIN MAINTENANCE FFE = 4414'-9"

MEADOWS WATER AUTHORITY ON 8-5-2025

CONRAC ADMIN MAINTENANCE FFE = 4414'-9"

MEADOWS WATER AUTHORITY ON 8-5-2025

CONRAC ADMIN MAINTENANCE FFE = 4414'-9"

MEADOWS WATER AUTHORITY ON 8-5-2025

CONRAC ADMIN MAINTENANCE FFE = 4414'-9"

MEADOWS WATER AUTHORITY ON 8-5-2025

CONRAC ADMIN MAINTENANCE FFE = 4414'-9"

MEADOWS WATER AUTHORITY ON 8-5-2025

CONRAC ADMIN MAINTENANCE FFE = 4414'-9"

MEADOWS WATER AUTHORITY ON 8-5-2025

CONRAC ADMIN MAINTENANCE FFE = 4414'-9"

MEADOWS WATER AUTHORITY ON 8-5-2025

CONRAC ADMIN MAINTENANCE FFE = 4414'-9"

MEADOWS WATER AUTHORITY ON 8-5-2025

CONRAC ADMIN MAINTENANCE FFE = 4414'-9"

MEADOWS WATER AUTHORITY ON 8-5-2025

CONRAC ADMIN MAINTENANCE FFE = 4414'-9"

MEADOWS WATER AUTHORITY ON 8-5-2025

CONRAC ADMIN MAINTENANCE FFE = 4414'-9"

MEADOWS WATER AUTHORITY ON 8-5-2025

CONRAC ADMIN MAINTENANCE FFE = 4414'-9"

MEADOWS WATER AUTHORITY ON 8-5-2025

CONRAC ADMIN MAINTENANCE FFE = 4414'-9"

MEADOWS WATER AUTHORITY ON 8-5-2025

CONRAC ADMIN MAINTENANCE FFE = 4414'-9"

MEADOWS WATER AUTHORITY ON 8-5-2025

CONRAC ADMIN MAINTENANCE FFE = 4414'-9"

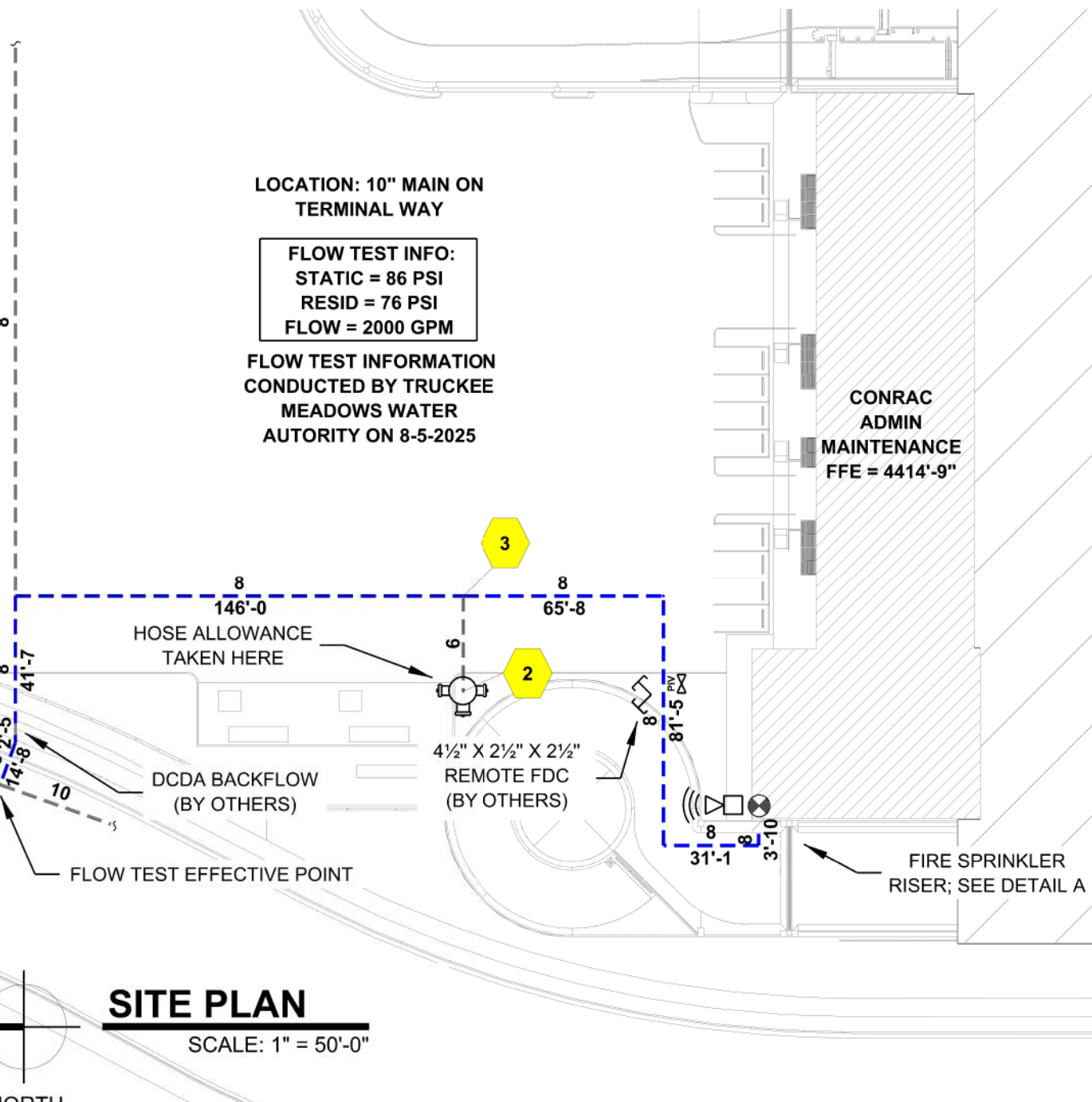
MEADOWS WATER AUTHORITY ON 8-5-2025

CONRAC ADMIN MAINTENANCE FFE = 4414'-9"

MEADOWS WATER AUTHORITY ON 8-5-2025

CONRAC ADMIN MAINTENANCE FFE = 4414'-9"

MEADOWS WATER AUTHORITY ON 8-5-2025



SITE PLAN

SCALE: 1" = 50'-0"

NORTH



VICINITY MAP

NOT TO SCALE

NORTH

REVISIONS

REV	DATE	DESCRIPTION

THESE PLANS ARE PREPARED AND SUBMITTED BY THE CONTRACTOR AS AN INDICATION TO HIS CLIENT FOR WORK UNDER THE CONTRACTOR'S LICENSE CATEGORY AUTHORIZED UNDER NRS 624.010

FIRE SPRINKLER PLANS

OVERALL AND SITE PLAN

CONRAC ADMIN & MAIN.

1500 TERMINAL WAY

RENO, NV 89502

APN 015-210-34

DRAWN BY: MAS

CHECKED BY: ADK

DATE: 9-15-25

PROJECT NO. 574273

SCALE: AS NOTED

Sheet No:

FS1 of 1