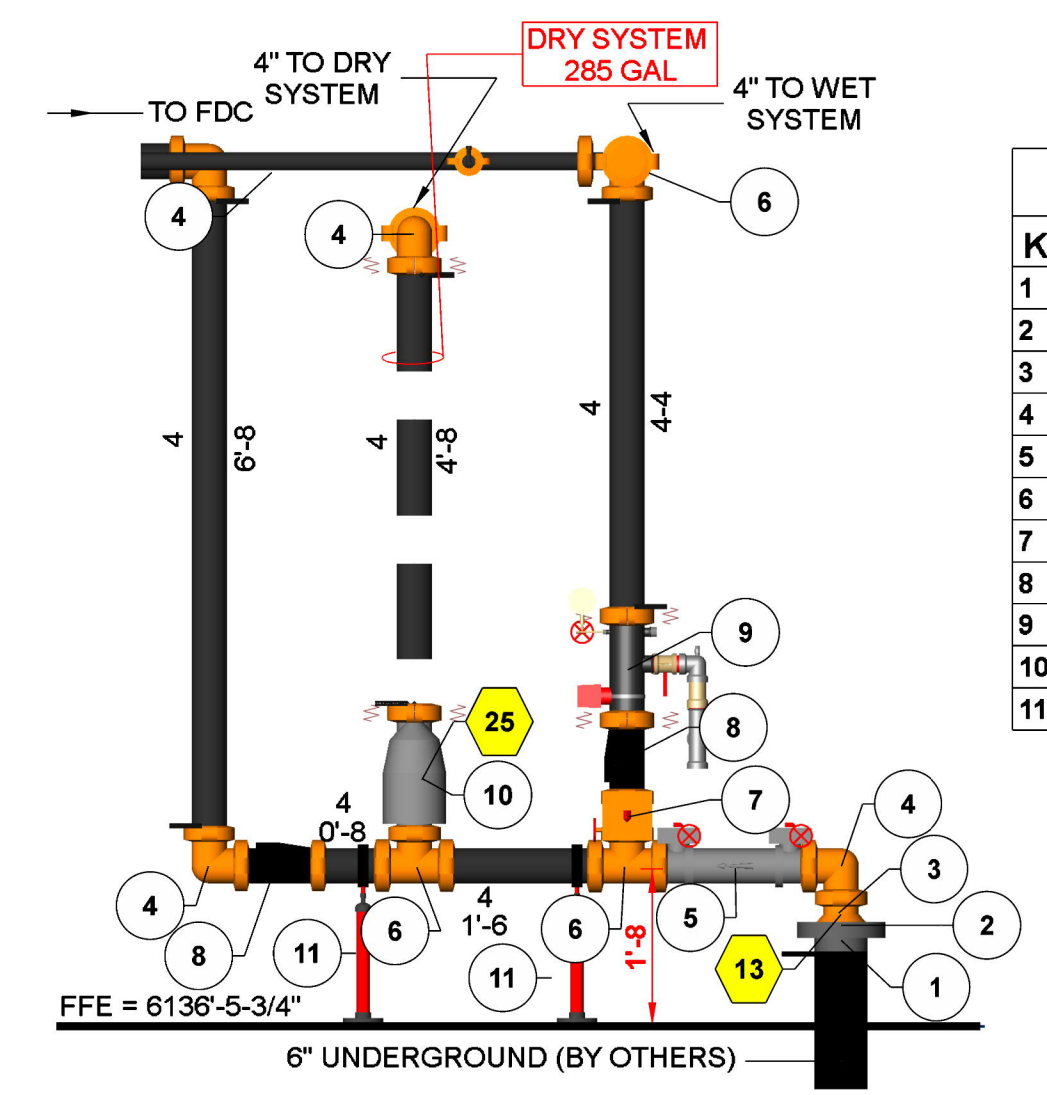


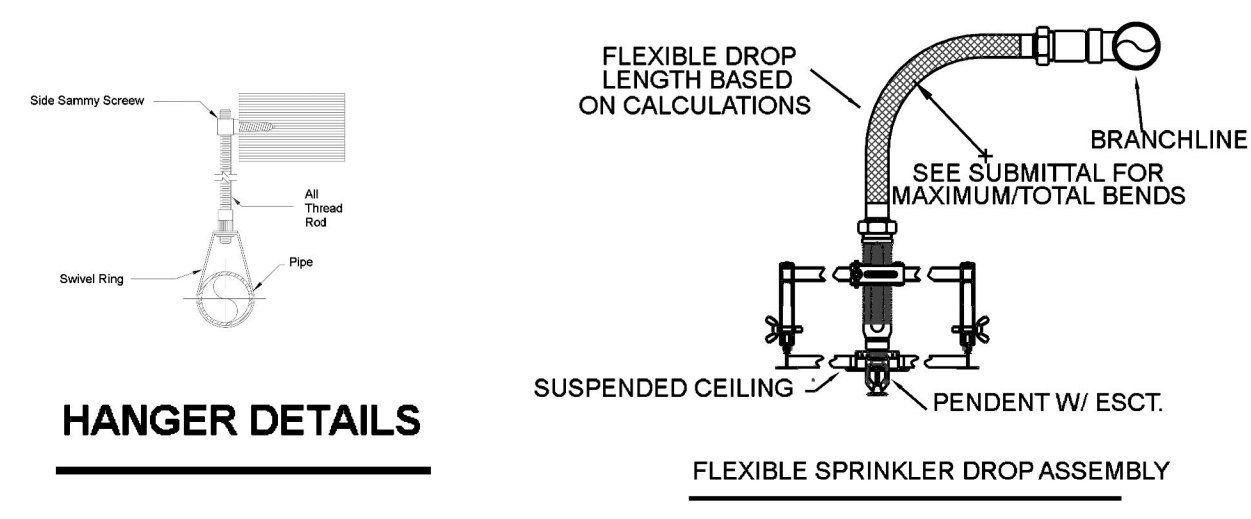
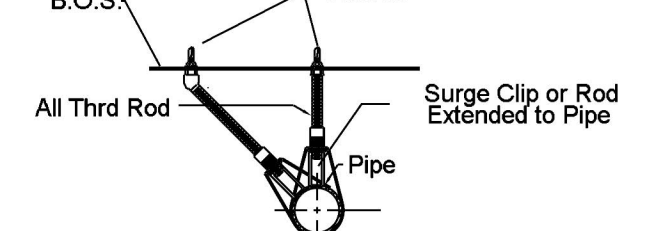
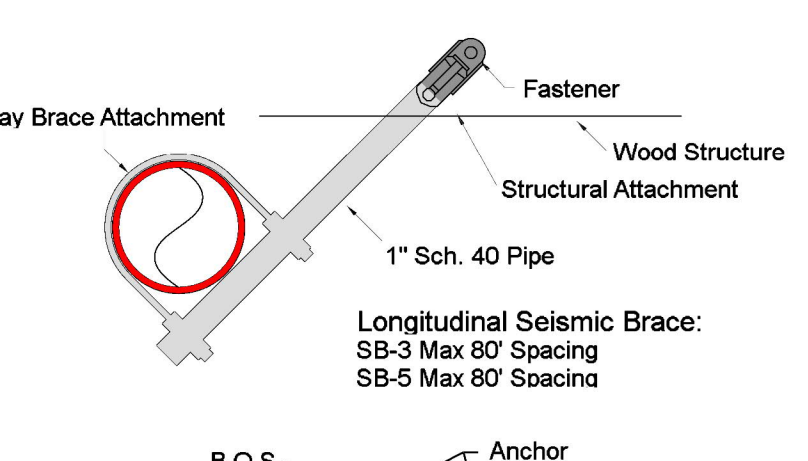
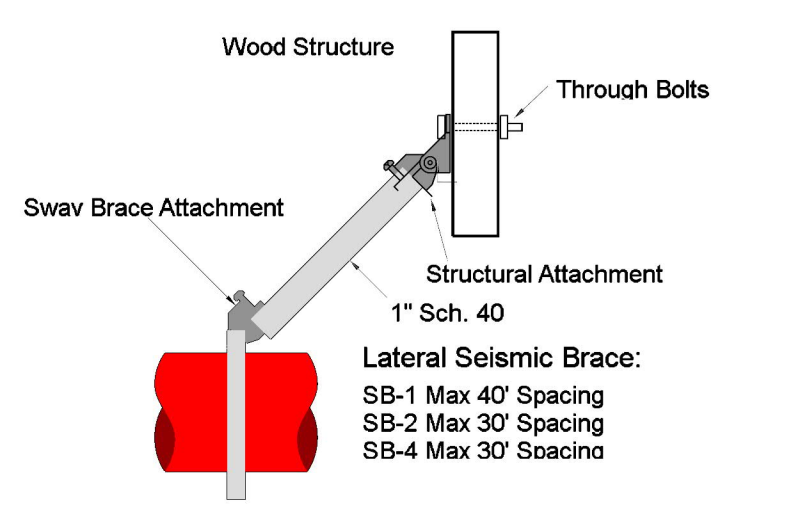
A BUILDING SECTION
SCALE: 1/8" = 1'-0"



1 RISER DETAIL
SCALE: 1/2" = 1'-0"

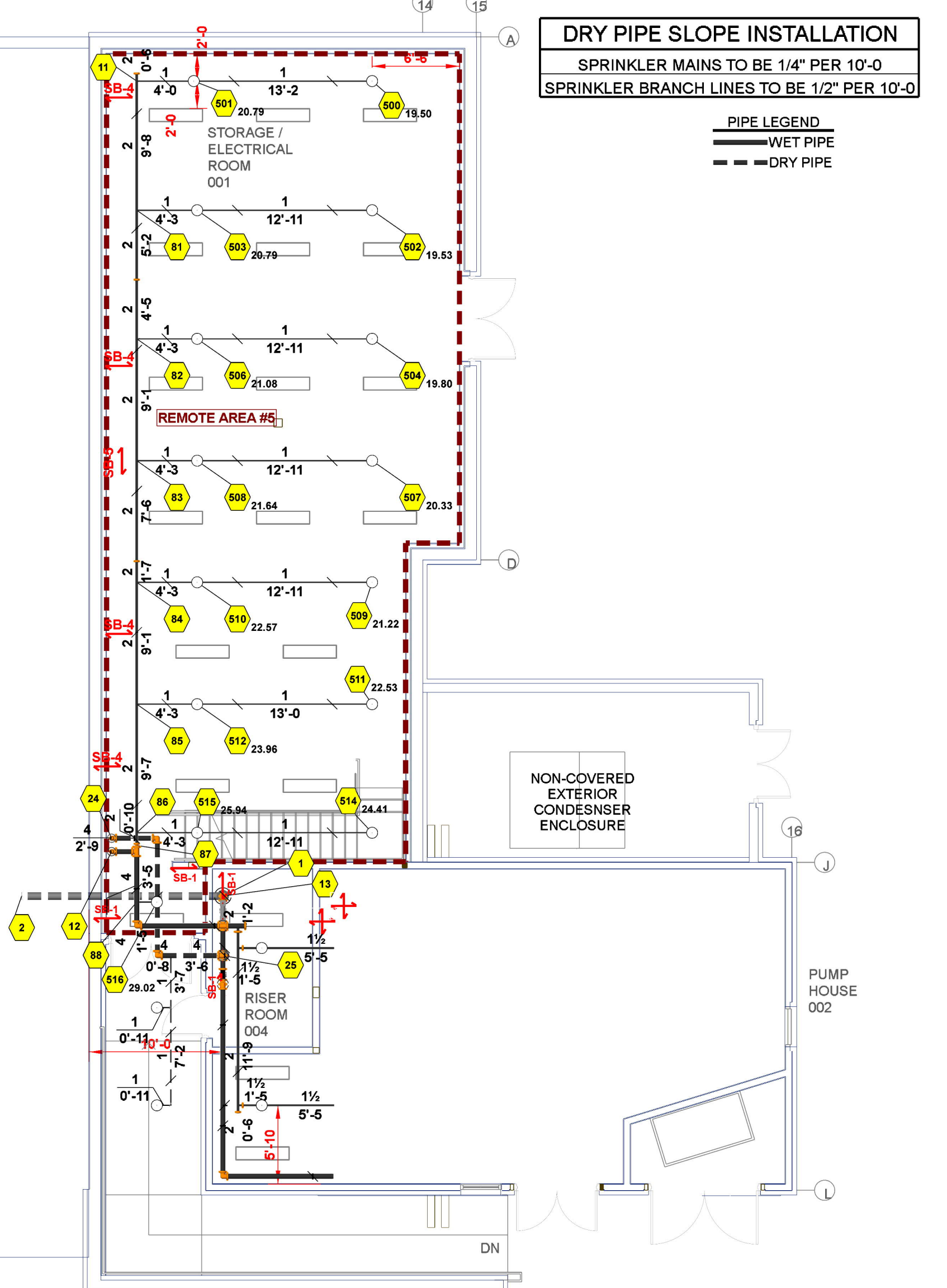
Parts Legend			
Key Note	Size	Description	Quantity
1	6	Plain End, Uni Flange, DI	1
2	6	F-Grooved, Low Pressure Flange, DI	1
3	6 x 4	No. 50, Grooved Concentric Reducer, DI, Org	1
4	4	No. 001, FireLock® Short Radius, 90° Elbow, DI, Org	1
5	4	Backflow, RPZD, Deringer 50, G-G, GPM Meter	1
6	4	Victaulic FireLock Tee #002 Org	3
7	4	Valve, G-G Butterfly	1
8	4	Spring Check, FireLock 117R, G-G	2
9	4	Gv Riser Manifold w/ Flow Switch, Test & Drain, Pressure Relief, and Pressure Gauge	1
10	4	Dry Pipe, Series 768N NXT, G-G	1
11	4	Pipe stand	2

Sprinkler Legend										
Symbol	Manufacturer	SIN	Model	Quantity	K-Factor	Type	Size	Response	Finish	Temperature
●	Tyco	TY3231	TY-FRB	87	5.6	Pendent	1/2	Quick	White RAL 9003	200 °F
○	Tyco	TY3635	DS-1	4	5.6	Pendent	1	Quick	N/A	REC
○	Tyco	TY3131	TY-FRB	33	5.6	Upright	1/2	Quick	Chrome	200 °F
○	Tyco	TY3131	TY-FRB	89	5.6	Upright	1/2	Quick	Natural Brass	200 °F
○	Tyco	TY3331	TY-FRB	32	5.6	Horizontal Sidewall	1/2	Quick	Natural Brass	200 °F
				Total = 225						



HANGER DETAILS

MAXIMUM DISTANCE BETWEEN HANGERS (FT.-IN.)										
STEEL PIPE EXCEPT THREADED LIGHTWALL	3/4"	1"	1 1/4"	1 1/2"	2"	2 1/2"	3"	4"	6"	8"
	NA	12-0	12-0	15-0	15-0	15-0	15-0	15-0	15-0	15-0

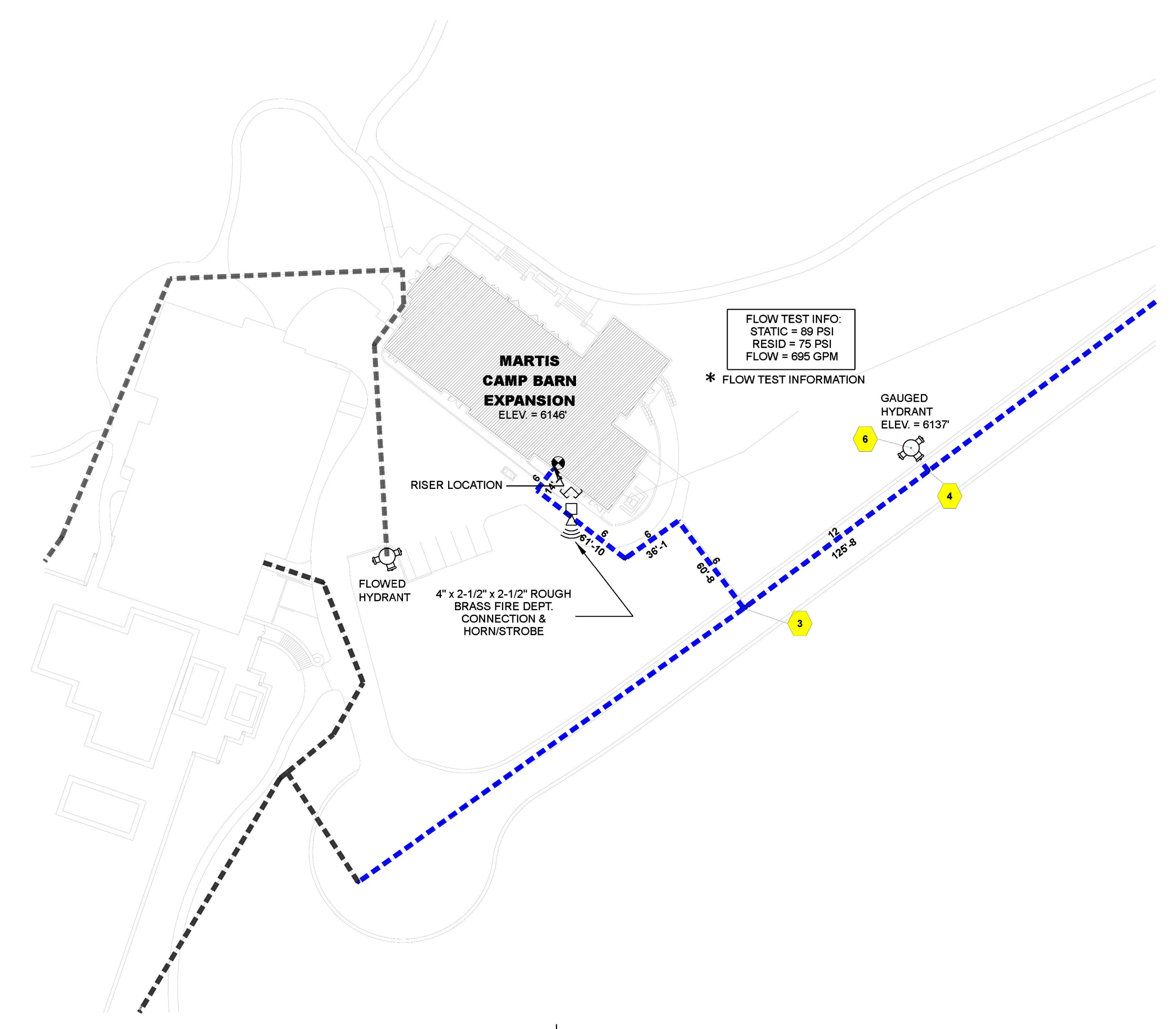


DRY PIPE SLOPE INSTALLATION
SPRINKLER MAINS TO BE 1/4" PER 10'-0"
SPRINKLER BRANCH LINES TO BE 1/2" PER 10'-0"

PIPE LEGEND	
—	WET PIPE
- - -	DRY PIPE

Hydraulic Information	
Remote Area 5	
OCCUPANCY CLASSIFICATION	Ordinary Group I
DENSITY (gpm/ft²)	0.15 for 1500 ft² (Actual 1529 ft²)
TOTAL HOSE STREAMS	250.00
TOTAL HEADS FLOWING	15
K-FACTOR	5.6
TOTAL WATER REQUIRED	593.09
TOTAL PRESSURE REQUIRED	48.84
BASE OF RISER (gpm)	583.09
BASE OF RISER (psi)	48.84
SAFETY MARGIN (psi)	+30.05 (38.1%)

LOWER LEVEL FIRE SPRINKLER PLAN
SCALE: 1/8" = 1'-0"



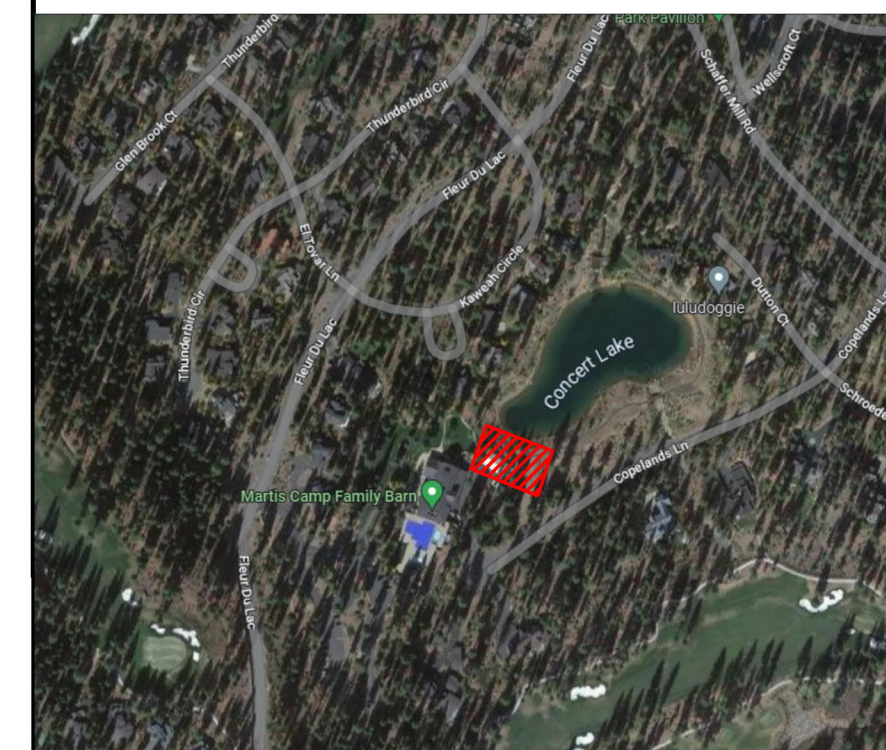
SITE PLAN
SCALE: 1" = 50'-0"

PROJECT SUMMARY
PROJECT NAME: MARTIS CAMP FAMILY BARN EXPANSION
PROJECT ADDRESS: 7901 FLUER DU LAC DRIVE, TRUCKEE, CA 96161
APN: 80-160-043
PROJECT TYPE: NEW T1
TYPE OF CONSTRUCTION: V18
OCCUPANCY GROUP (S): A,B AND S
OCCUPIED LEVELS: 2
TOTAL SPRINKLERED AREA: 14,350 SQ. FT. NFPA 13 NFPA 13R NFPA 13D
NFPA CODE REQUIREMENT: A 13 A 13R A 13D
NUMBER OF SYSTEMS: 2
SYSTEM TYPE (S): WET ANT-FREEZE DRY PREACTION
TOTAL SPRINKLERS: 225
SPECIAL NOTES: SEE FIRE SPRINKLER NOTES THIS SHEET

NO.	DATE	REVISION	DRAWN	CHECKED
2	07/06/23	ISSUED FOR RESUBMITTAL TO AHJ	JV	-
1	03/20/23	ISSUED FOR SUBMITTAL TO AHJ	JV	-

GENERAL CONTRACTOR: _____ AUTHORITY HAVING JURISDICTION: LOCAL FIRE DEPARTMENT
ADDRESS: _____ ADDRESS: _____
CITY: _____ CITY: _____
PHONE: _____ PHONE: _____
CONTACT: _____ CONTACT: _____
ARCHITECT: _____ FIELD INSPECTIONS: _____
ADDRESS: _____
CITY: _____
PHONE: _____

- THE PROPOSED FIRE SPRINKLER SYSTEM HAS TWO TOTAL ZONES ONE WET SYSTEM AND ONE DRY SYSTEM AND SHALL BE DESIGNED AND INSTALLED PER NFPA 13 (2022 ED) AND THE AHJ.
- THIS SPRINKLER SYSTEM IS HYDRAULICALLY CALCULATED IN ACCORDANCE WITH NFPA 13.
- DESIGN CRITERIA
- LIGHT HAZARD AREAS DESIGN TO 0.10 GPM/S.F. OVER THE MOST DEMANDING 1500 SQ. FT.
- ORDINARY HAZARD GROUP I AREAS DESIGN TO 0.15 GPM/S.F. OVER THE MOST DEMANDING 1500 SQ. FT.
- REMOTE AREA REDUCTIONS TAKEN WHERE ALLOWED PER NFPA 13
- ALL PIPING TO BE STEEL
- 1" PIPE TO BE THREADED SCHEDULE 40 PIPE WITH THREADED FITTINGS
- 1 1/4" THROUGH 8" PIPE TO BE SCHEDULE 10 PIPE WITH ROLL GROOVED FITTINGS AND WELDED OUTLETS
- ALL HANGERS SHALL BE INSTALLED IN ACCORDANCE WITH NFPA 13 REQUIREMENTS
- HOLES THROUGH SOLID STRUCTURAL MEMBERS SHALL BE PERMITTED TO SERVE AS HANGERS FOR THE SUPPORT OF SYSTEM PIPING
- ALL SYSTEM PIPING SHALL BE TESTED FOR LEAKAGE PER NFPA 25 REQUIREMENTS
- THE OWNER SHALL BE RESPONSIBLE FOR MAINTAINING A MINIMUM TEMPERATURE OF 40° FAHRENHEIT TO PROTECT FROM FREEZING
- ALL DIMENSIONS ARE SHOWN CENTER TO CENTER UNLESS NOTED OTHERWISE.



PROJECT NAME: FIRE SPRINKLER PLANS FOR
MARTIS CAMP FAMILY BARN EXPANSION
7901 FLUER DU LAC DRIVE, TRUCKEE, CA 96161

DRAWING TITLE:
FIRE SPRINKLER PLAN

SCALE: 1/8" = 1'-0"	JOB NO:
DRAWN BY:	DWG NO:
BORN ON DATE: 01/15/24	FILE:
FILE: 01/15/24	SHEET 1 OF 1

Hydraulic Information	
Remote Area 2	
OCCUPANCY CLASSIFICATION	Light Hazard
DENSITY (gpm/ft ²)	0.10 for 1950 ft ² (Actual 1869 ft ²)
TOTAL HOSE STREAMS	100.00
DRY CAPACITY	295 gal
TOTAL HEADS FLOWING	27
K-FACTOR	5.6
TOTAL WATER REQUIRED	545.88
TOTAL PRESSURE REQUIRED	63.35
BASE OF RISER (gpm)	545.98
BASE OF RISER (psi)	63.35
SAFETY MARGIN (psi)	+16.71 (20.9%)

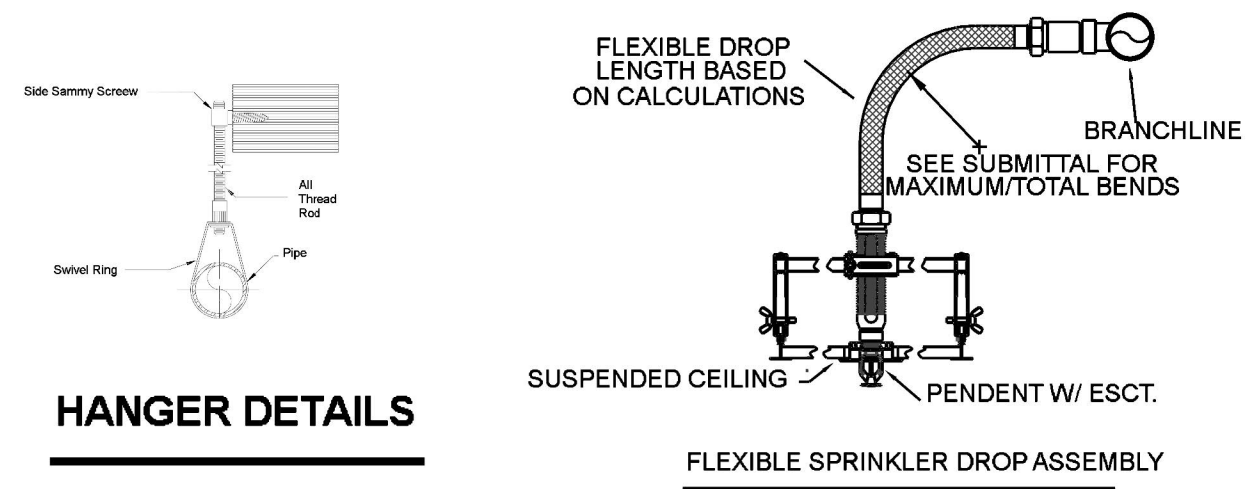
Hydraulic Information	
Remote Area 3	
OCCUPANCY CLASSIFICATION	Light Hazard
DENSITY (gpm/ft ²)	0.10 for 1500 ft ² (Actual 1604 ft ²)
TOTAL HOSE STREAMS	100.00
TOTAL HEADS FLOWING	15
K-FACTOR	5.6
TOTAL WATER REQUIRED	421.22
TOTAL PRESSURE REQUIRED	67.27
BASE OF RISER (gpm)	421.22
BASE OF RISER (psi)	67.27
SAFETY MARGIN (psi)	+16.18 (19.4%)

Hydraulic Information	
Remote Area 4	
OCCUPANCY CLASSIFICATION	Light Hazard
DENSITY (gpm/ft ²)	0.10 for 1500 ft ² (Actual 1670 ft ²)
TOTAL HOSE STREAMS	100.00
TOTAL HEADS FLOWING	19
K-FACTOR	5.6
TOTAL WATER REQUIRED	406.64
TOTAL PRESSURE REQUIRED	44.96
BASE OF RISER (gpm)	406.64
BASE OF RISER (psi)	44.96
SAFETY MARGIN (psi)	+38.84 (46.3%)

Hydraulic Information	
Remote Area 6	
OCCUPANCY CLASSIFICATION	Ordinary Group I
DENSITY (gpm/ft ²)	0.15 for 1500 ft ² (Actual 1582 ft ²)
TOTAL HOSE STREAMS	250.00
TOTAL HEADS FLOWING	19
K-FACTOR	5.6
TOTAL WATER REQUIRED	631.50
TOTAL PRESSURE REQUIRED	66.86
BASE OF RISER (gpm)	631.50
BASE OF RISER (psi)	66.86
SAFETY MARGIN (psi)	+10.62 (13.7%)

DRY PIPE SLOPE INSTALLATION
 SPRINKLER MAINS TO BE 1/4" PER 10'-0"
 SPRINKLER BRANCH LINES TO BE 1/2" PER 10'-0"

PIPE LEGEND
 --- WET PIPE
 --- DRY PIPE



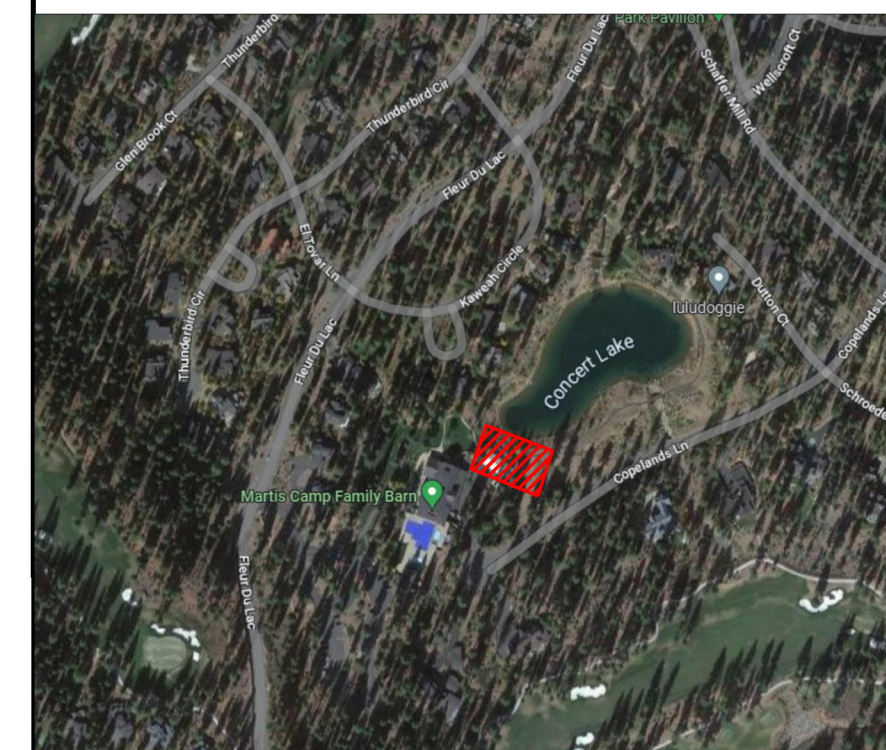
STEEL PIPE EXCEPT THREADED LIGHTWALL	MAXIMUM DISTANCE BETWEEN HANGERS (FT.-IN.)							
	3/4"	1"	1 1/4"	1 1/2"	2"	2 1/2"	3"	4"
	NA	12-0	12-0	15-0	15-0	15-0	15-0	15-0

Sprinkler Legend										
Symbol	Manufacturer	SIN	Model	Quantity	K-Factor	Type	Size	Response	Finish	Temperature
●	Tyco	TY3231	TY-FRB	67	5.6	Pendent	1/2"	Quick	White RAL 9003	200 °F
○	Tyco	TY3035	DS-1	4	5.6	Pendent	1"	Quick	White RAL 9003	N/A
○	Tyco	TY3131	TY-FRB	33	5.6	Upright	1/2"	Quick	Chrome	200 °F
○	Tyco	TY3131	TY-FRB	89	5.6	Upright	1/2"	Quick	Natural Brass	200 °F
○	Tyco	TY3331	TY-FRB	32	5.6	Horizontal Sidewall	1/2"	Quick	Natural Brass	200 °F
				Total = 225						

PROJECT SUMMARY
 PROJECT NAME: MARTIS CAMP FAMILY BARN EXPANSION
 PROJECT ADDRESS: 7901 FLUER DU LAC DRIVE, TRUCKEE, CA 96161
 APN: 80-160-043
 PROJECT TYPE: NEW T.I.
 TYPE OF CONSTRUCTION: V.S.
 OCCUPANCY GROUP (S): A,B AND S
 OCCUPIED LEVELS: 2
 TOTAL SPRINKLERED AREA: 14,350 SQ FT
 NFPA CODE REQUIREMENT: NFPA 13 NFPA 13R NFPA 13D
 NUMBER OF SYSTEMS: 2
 SYSTEM TYPE (S): WET ANT-FREEZE DRY PREACTION
 TOTAL SPRINKLERS: 252
 SPECIAL NOTES: SEE FIRE SPRINKLER NOTES THIS SHEET

NO.	DATE	REVISION	DRAWN	CHECKED
2	07/06/23	ISSUED FOR RESUBMITTAL TO AHJ	JV	
1	03/02/23	ISSUED FOR SUBMITTAL TO AHJ	JV	

- GENERAL CONTRACTOR: AUTHORITY HAVING JURISDICTION
 LOCAL FIRE DEPARTMENT
- ADDRESS: ADDRESS
 CITY: CITY
 PHONE: PHONE
 CONTACT: CONTACT
- ARCHITECT: FIELD INSPECTIONS
 ADDRESS: 1 -
 CITY: 2 -
 PHONE: 3 -
 4 -
- THE PROPOSED FIRE SPRINKLER SYSTEM HAS TWO TOTAL ZONES ONE WET SYSTEM AND ONE DRY SYSTEM AND SHALL BE DESIGNED AND INSTALLED PER NFPA 13 (2022 ED) AND THE AHJ
 - THIS SPRINKLER SYSTEM IS HYDRAULICALLY CALCULATED IN ACCORDANCE WITH NFPA 13
 - DESIGN CRITERIA
 - LIGHT HAZARD AREAS DESIGN TO 0.10 GPM/S.F. OVER THE MOST DEMANDING 1500 SQ. FT.
 - (ORDINARY HAZARD GROUP I) AREAS DESIGN TO 0.15 GPM/S.F. OVER THE MOST DEMANDING 1500 SQ. FT.
 - REMOTE AREA REDUCTIONS TAKEN WHERE ALLOWED PER NFPA 13
 - ALL PIPING TO BE STEEL
 - 1" PIPE TO BE THREADED SCHEDULE 40 PIPE WITH THREADED FITTINGS
 - 1 1/4" THROUGH 8" PIPE TO BE SCHEDULE 10 PIPE WITH ROLL GROOVED FITTINGS AND WELDED OUTLETS
 - ALL HANGERS SHALL BE INSTALLED IN ACCORDANCE WITH NFPA 13 REQUIREMENTS
 - HOLES THROUGH SOLID STRUCTURAL MEMBERS SHALL BE PERMITTED TO SERVE AS HANGERS FOR THE SUPPORT OF SYSTEM PIPING
 - ALL SYSTEM PIPING SHALL BE TESTED FOR LEAKAGE PER NFPA 25 REQUIREMENTS
 - THE OWNER SHALL BE RESPONSIBLE FOR MAINTAINING A MINIMUM TEMPERATURE OF 40° FAHRENHEIT TO PROTECT FROM FREEZING
 - ALL DIMENSIONS ARE SHOWN CENTER TO CENTER U.N.O.



PROJECT NAME: FIRE SPRINKLER PLANS FOR
MARTIS CAMP FAMILY BARN EXPANSION
 7901 FLUER DU LAC DRIVE, TRUCKEE, CA 96161

DRAWING TITLE:
FIRE SPRINKLER PLAN

SCALE: 1/8" = 1'-0" JOB NO:
 DRAWN BY: DWG NO:
 BORN ON DATE: 01/15/24
 FILE: 01/15/24

SHEET 1 OF 1
FP-2

MAIN LEVEL FIRE SPRINKLER PLAN
 SCALE: 1/8" = 1'-0"

DRY PIPE SLOPE INSTALLATION
 SPRINKLER MAINS TO BE 1/4" PER 10'-0"
 SPRINKLER BRANCH LINES TO BE 1/2" PER 10'-0"

PIPE LEGEND
 --- WET PIPE
 --- DRY PIPE

Hydraulic Information	
Remote Area 1	
OCCUPANCY CLASSIFICATION	Ordinary Group I
DENSITY (gpm/ft ²)	0.15 for 1500 ft ² (Actual 1289 ft ²)
TOTAL HOSE STREAMS	250.00
TOTAL HEADS FLOWING	15
K-FACTOR	5.6
TOTAL WATER REQUIRED	555.83
TOTAL PRESSURE REQUIRED	70.49
BASE OF RISER (gpm)	555.83
BASE OF RISER (psi)	70.49
SAFETY MARGIN (psi)	+9.25 (11.6%)

CLERESTORY LEVEL FIRE SPRINKLER PLAN
 SCALE: 1/8" = 1'-0"