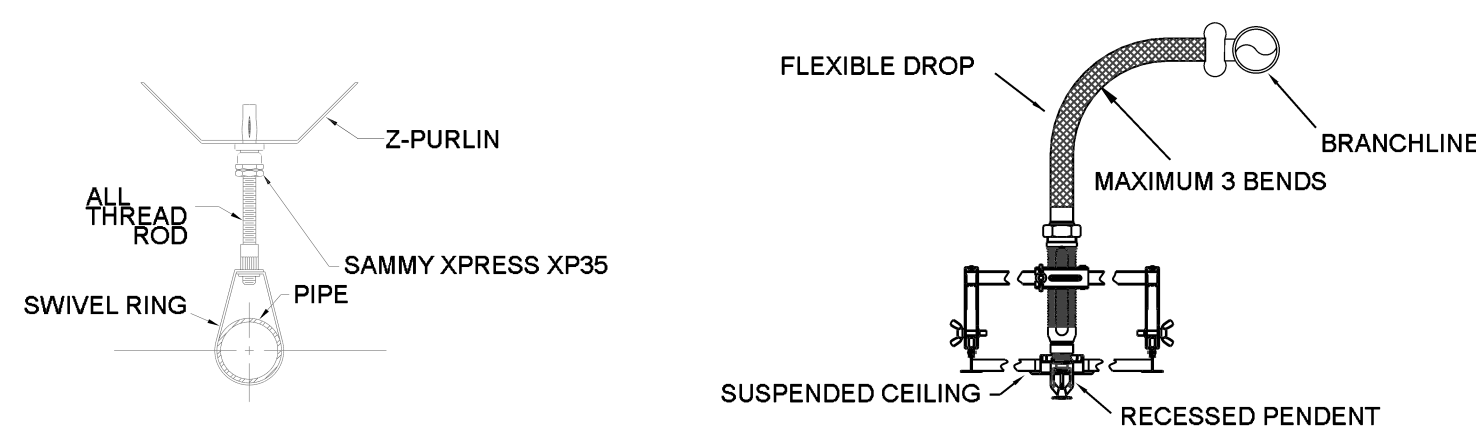


GENERAL INFORMATION

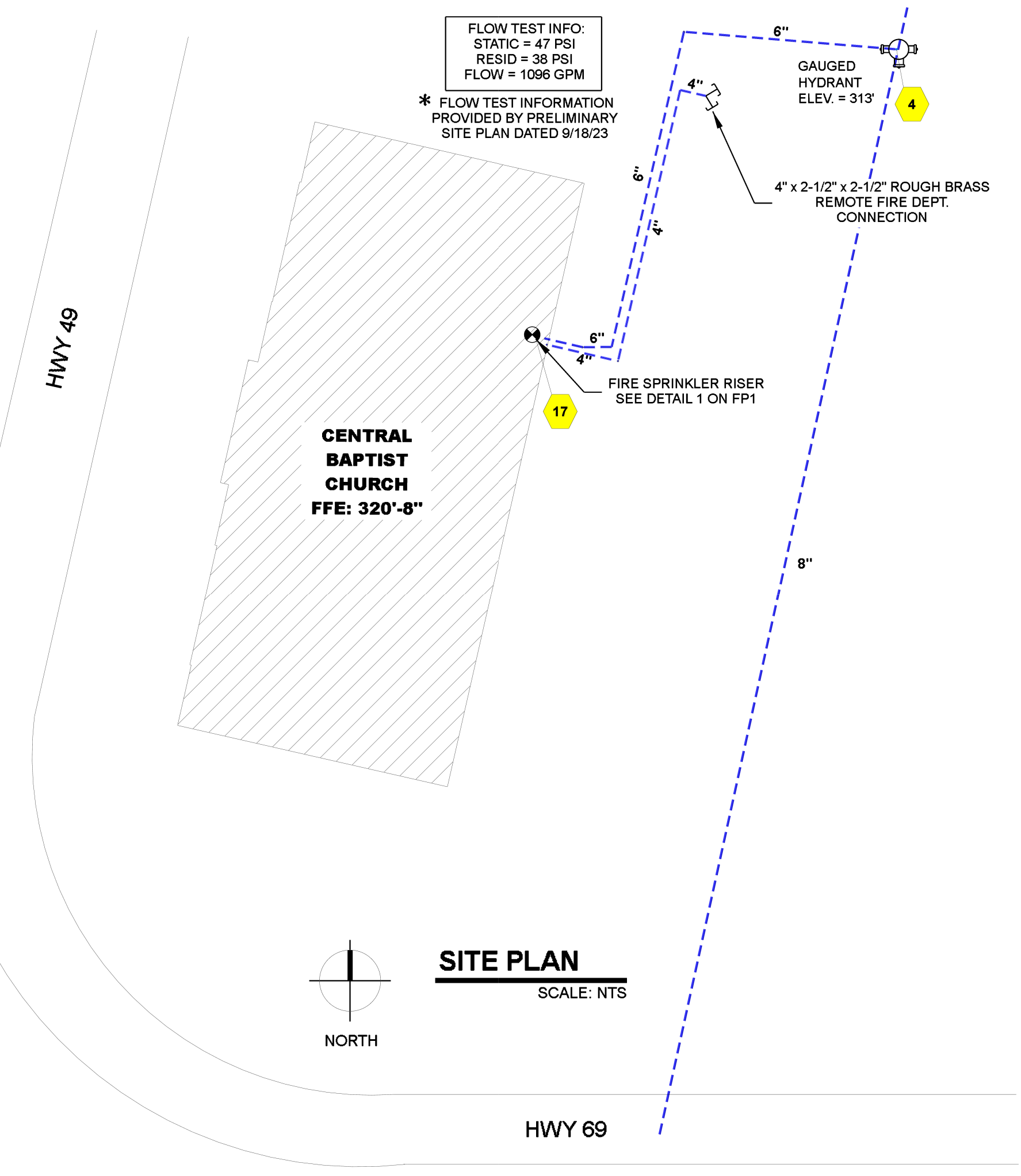
- INTERNATIONAL BUILDING CODE (2021)
 - OCCUPANCY: TYPE A-3, B
 - TYPE OF CONSTRUCTION: II-B
 - SPRINKLERED AREAS (APPROXIMATE - SEE ARCHITECTURAL PLANS FOR ACTUAL)
 - MAIN FLOOR = 35,221 S.F.
 - DESIGN & INSTALLATION STANDARDS: NFPA-13 (2019)
- SPRINKLER PIPE TYPES:
 - WET-
 - 2.1 1" PIPE TO BE SCHEDULE 40 BLACK STEEL W/ THREADED FITTINGS
 - 2.2 1-1/4" THROUGH 4" MAINS & BRANCH LINES TO BE BLK SCHEDULE 10 W/ GROOVED FITTINGS
 - 2.3 MAINS & BRANCH LINES TO BE ROLL-GROOVED BLK SCHEDULE 10
 - 2.4 2" AND LARGER TO USE GROOVED SHORT RADIUS FITTINGS
- DESIGN CRITERIA:
 - LIGHT HAZARD AREAS INCLUDE OFFICE/ADMINISTRATIVE, RESTROOMS, CORRIDORS, YOUTH ASSEMBLY, AND SANCTUARY
 - ORDINARY HAZARD GROUP I AREAS INCLUDE MECHANICAL AND ELECTRICAL ROOMS
 - REMOTE AREA REDUCTIONS HAVE BEEN TAKEN WHERE APPLICABLE PER NFPA 13 SEC. 19.3.3.2.3
 - SMALL ROOM RULE UTILIZED WHERE APPLICABLE PER NFPA 13, SEC. 10.2.5.2.3.1
- NOTES:
 - ALL MATERIAL TO BE NEW AND MEET U.L. STANDARDS
 - HANGERS TO BE INSTALLED IN ACCORDANCE WITH NFPA 13 - SEE PLAN FOR HANGING
- SYMBOLS USED ON DRAWINGS:
 - PIPE ELEVATION ABOVE FINISH FLOOR
 - ROOM HAZARD CLASSIFICATION (ALL ROOMS ARE CONSIDERED LIGHT HAZARD U.N.O.)
 - HYDRAULIC CALCULATION JUNCTION POINT
 - CEILING HEIGHT
 - WET BLACK STEEL PIPE
 - WET 1" ARM-OVER
 - WET 1" DROP/SPRIG
 - Z PURLIN
 - I-BEAM
- SCOPE OF WORK:
 - INSTALL A COMPLETE SINGLE ZONE WET FIRE SPRINKLER SYSTEM TO COVER ALL AREAS OF BUILDING
 - ALL AREAS OF THE BUILDING TO BE INSTALLED AND COVERED IN ACCORDANCE WITH THE LOCAL AUTHORITY HAVING JURISDICTION AND PER NFPA 13



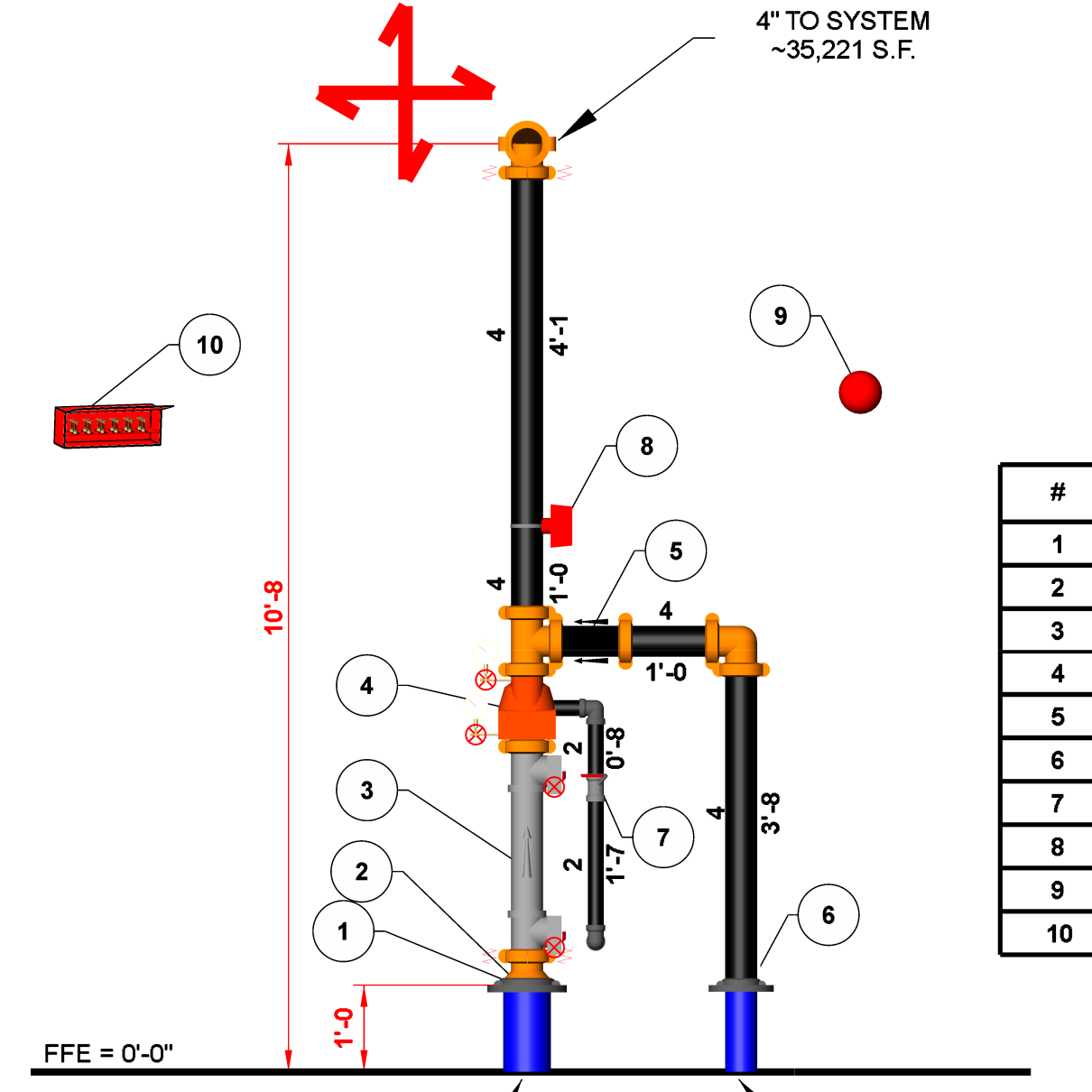
HANGER DETAILS

MAXIMUM DISTANCE BETWEEN HANGERS (FT.-IN.)		3/4"	1"	1 1/4"	1 1/2"	2"	2 1/2"	3"	4"	6"	8"
STEEL PIPE EXCEPT THREADED LIGHTWALL	NA	12-0	12-0	12-0	12-0	12-0	15-0	15-0	15-0	15-0	15-0
THREADED LIGHTWALL STEEL PIPE	NA	12-0	12-0	12-0	12-0	12-0	NA	NA	NA	NA	NA

Sprinkler Legend												
Symbol	Manufacturer	SIN	Model	Quantity	K-Factor	Type	Size	Response	Finish	Temp	Note	MAX SPACING
●	Viking	VK3021		185	5.6	Pendent	1/2"	Quick	Brass	155 °F	SEMI-REC	15'x15'
○	Viking	VK3001		04	5.6	Upright	1/2"	Quick	White Polyester	155 °F	N/A	15'x15'
				Total =								279

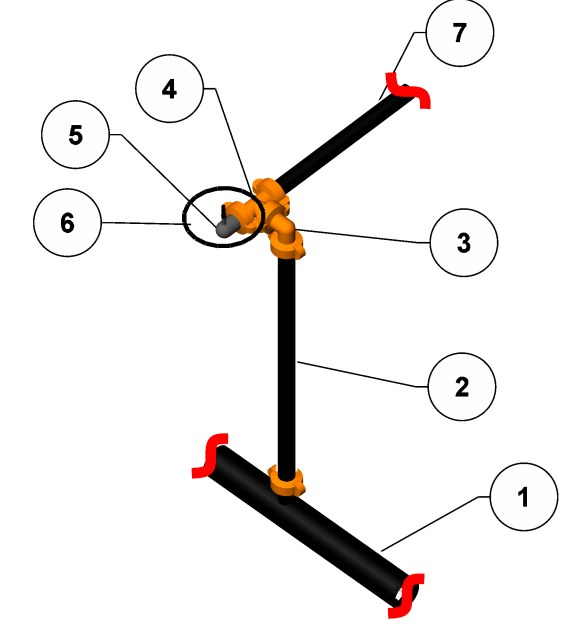


SITE PLAN
SCALE: NTS



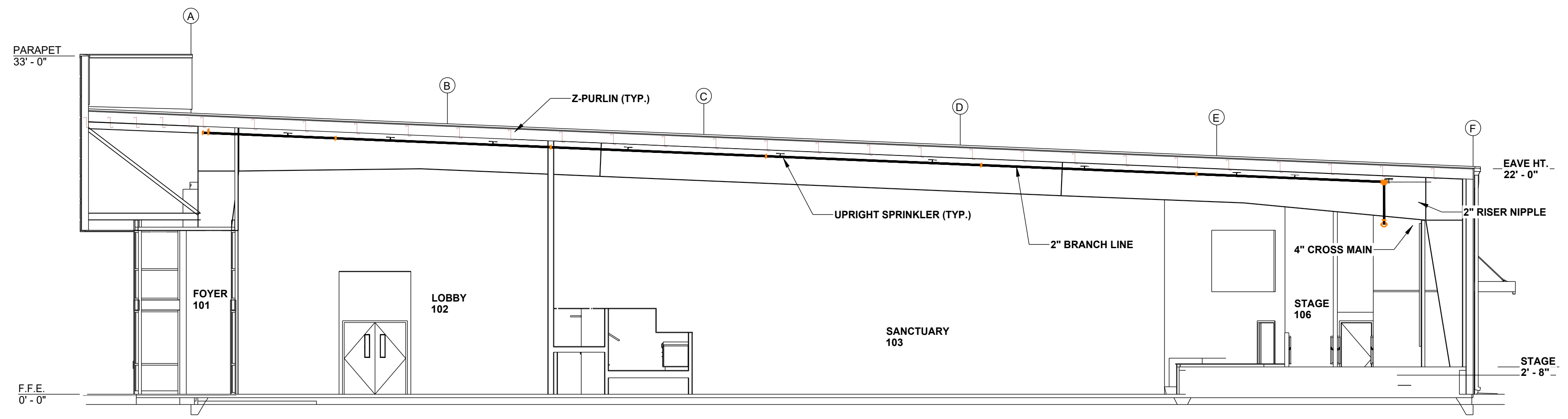
1 RISER DETAIL
SCALE: 1/2" = 1'-0"

#	DESCRIPTION
1	6" ARGCO FLG GRV ADAPTER NIPPLE
2	6" x 4" CONCENTRIC REDUCER #50
3	4" AMES C200 BUTTERFLY BFP
4	4" VIKING EZR CHECK VALVE
5	4" VIKING M-2 CHECK VALVE
6	4" ARGCO FLG GRV ADAPTER NIPPLE
7	2" BALL VALVE FOR MAIN DRAIN
8	POTTER FLOW SWITCH - VSR
9	10" POTTER ELECTRIC BELL
10	SPARE HEAD CABINET

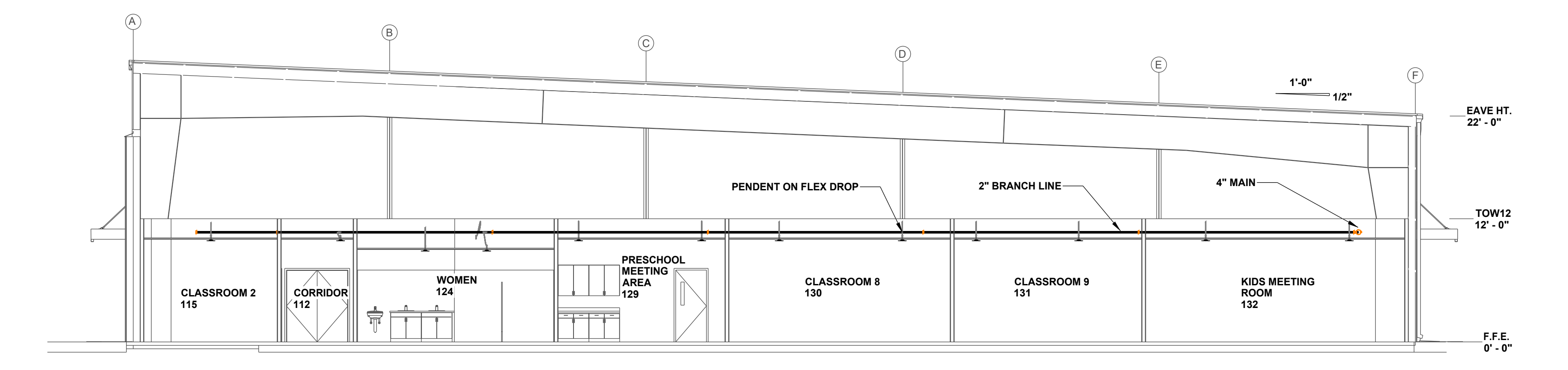


2 BOTTOM CENTER RISER NIPPLE DETAIL
SCALE: 1/2" = 1'-0"

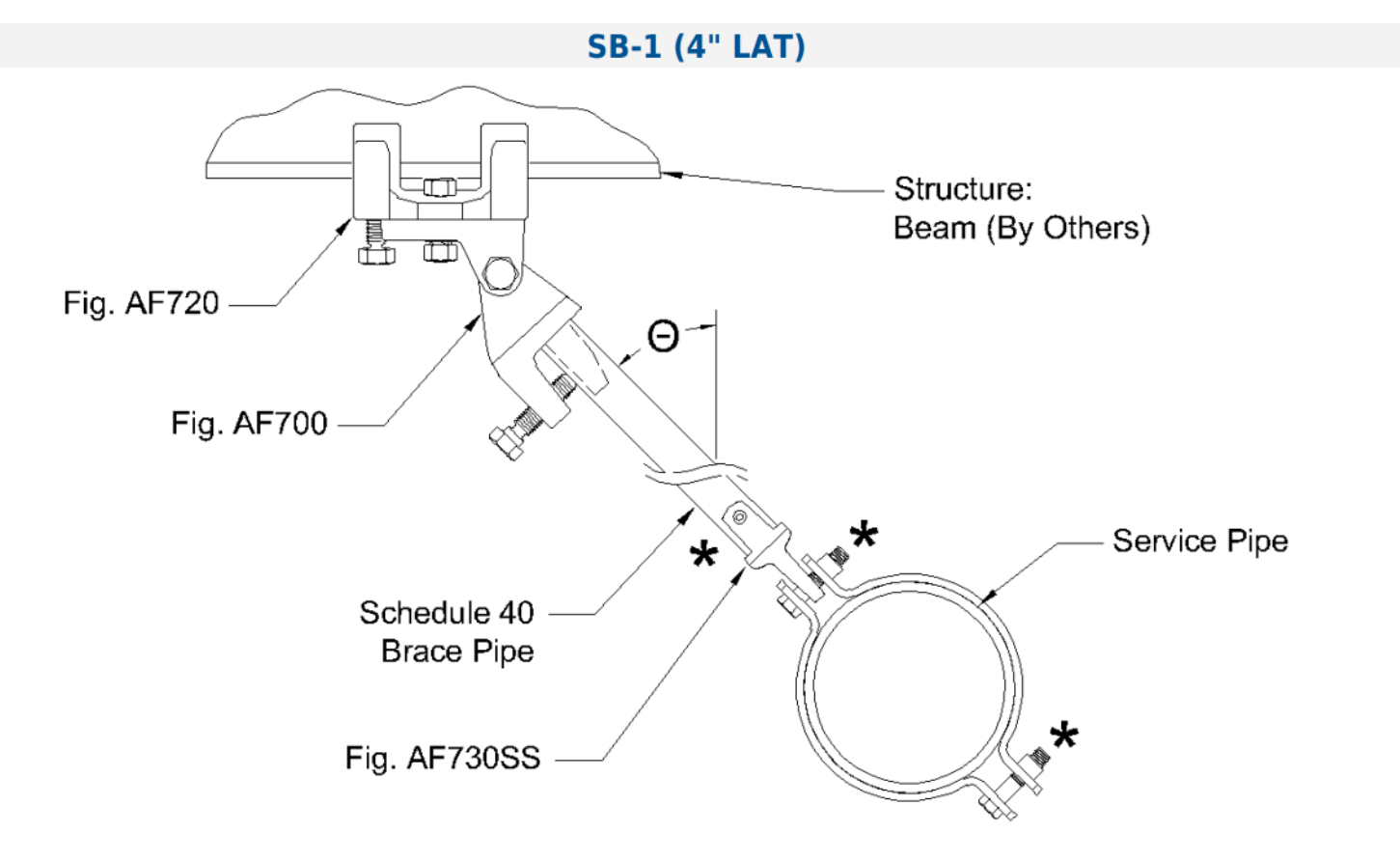
#	DESCRIPTION
1	4" MAIN
2	2" RISER NIPPLE
3	2" GROOVED ELBOW
4	2" GROOVED TEE
5	2" x 1/2" GT REDUCING ELBOW
6	UPRIGHT SPRINKLER
7	2" BRANCH LINE



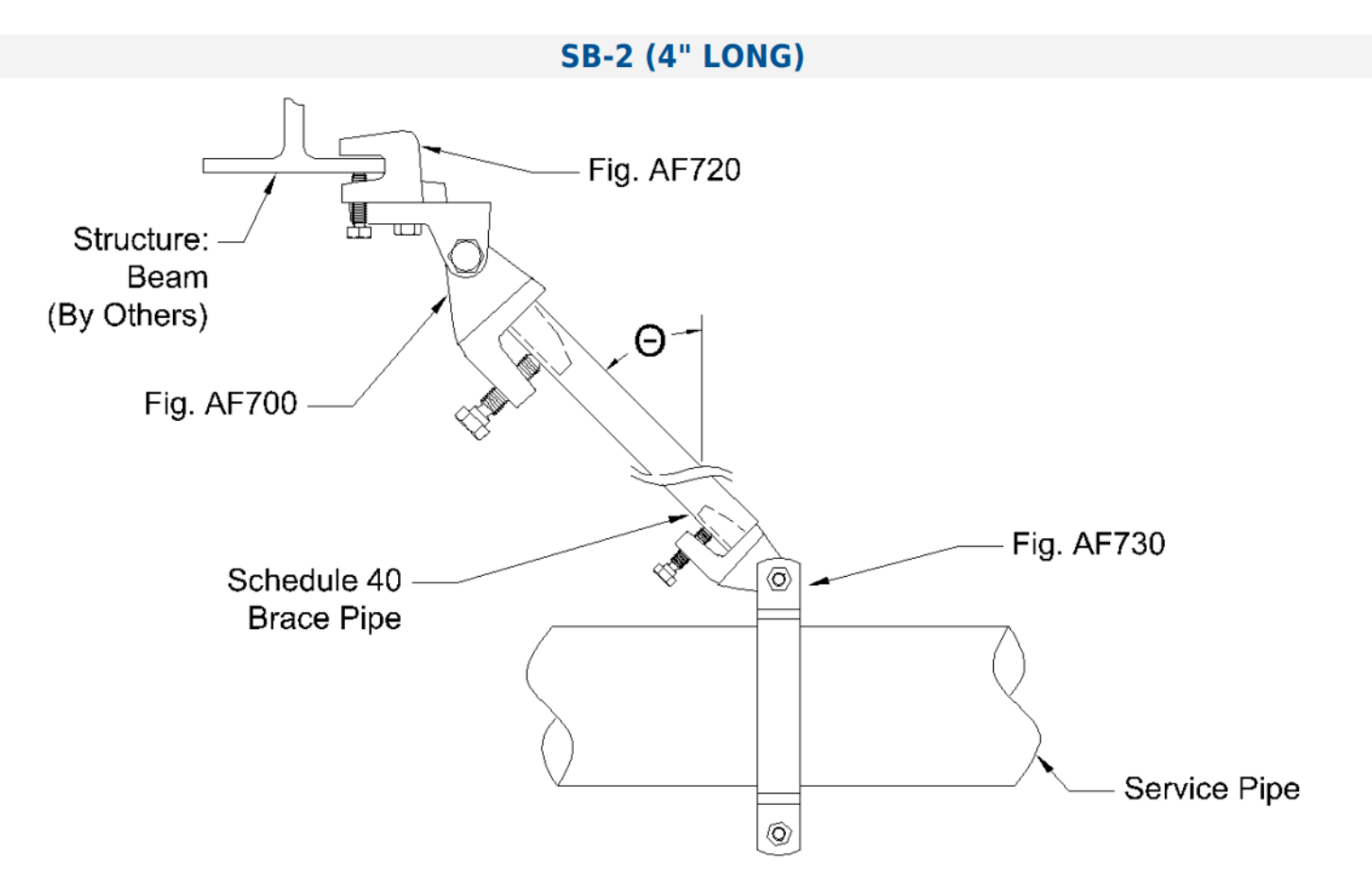
A BUILDING SECTION
SCALE: 1/8" = 1'-0"



B BUILDING SECTION
SCALE: 1/8" = 1'-0"



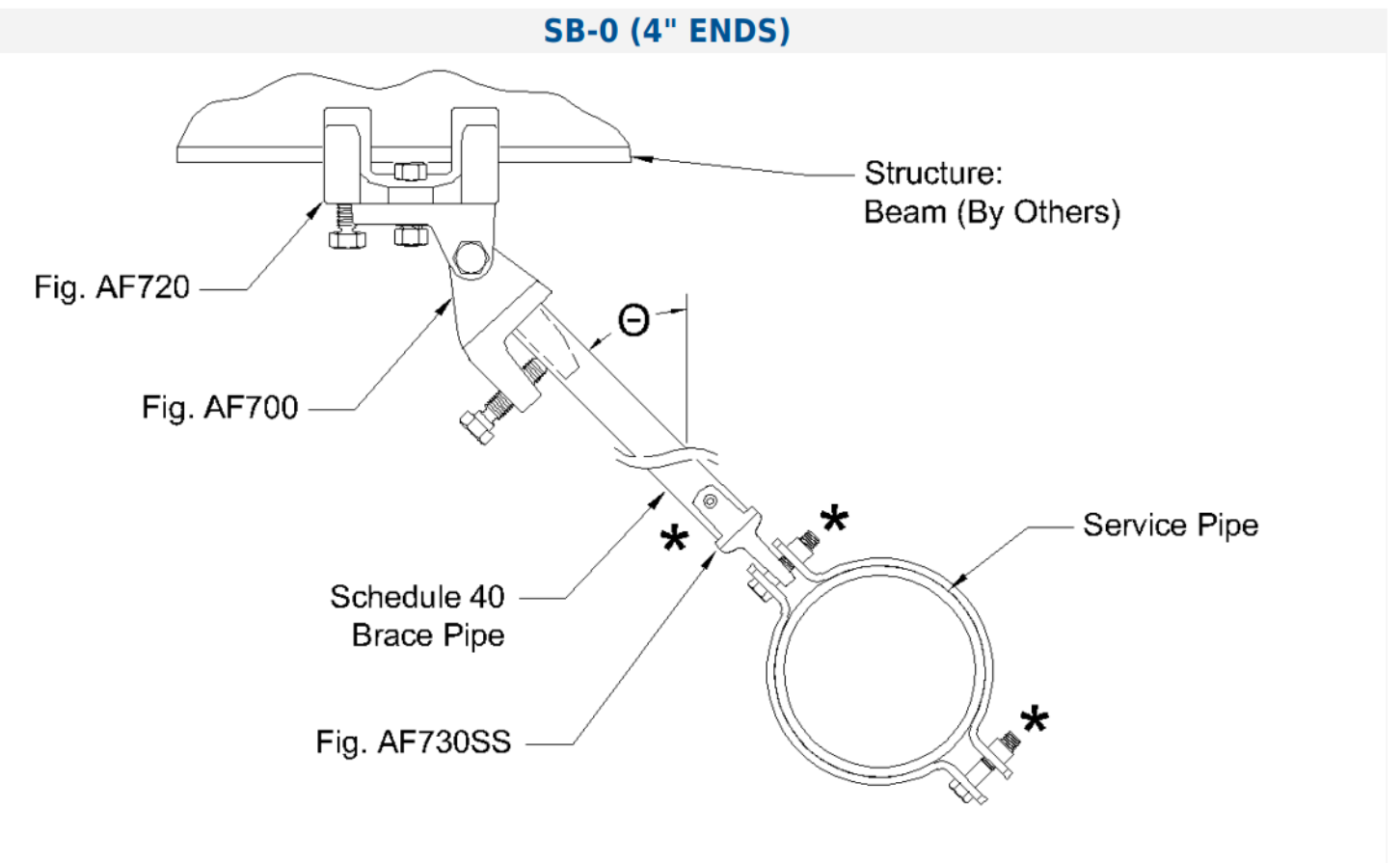
SB-1 (4" LAT)



SB-2 (4" LONG)

SEISMIC DETAILS

SEISMIC BRACING DESCRIPTION				
NAME	MAX SPACING	BRACE TYPE	PIPE BRACED	ORIENTATION
SB-0	28'	LATERAL	4" SCH 10	PARALLEL
SB-1	28'	LATERAL	4" SCH 10	PARALLEL
SB-2	80'	LONGITUDINAL	4" SCH 10	PERPENDICULAR



SB-0 (4" ENDS)

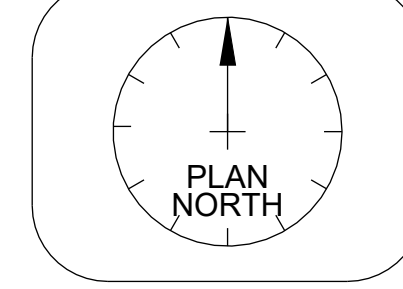
REVISIONS	
No.	Description

DRAWN BY
ZBS

SCALE
1/8" = 1'-0"

DATE
11/06/2023

JOB NUMBER



CENTRAL BAPTIST CHURCH
6205 HWY 49 SOUTH
PARAGOULD, ARKANSAS 72450

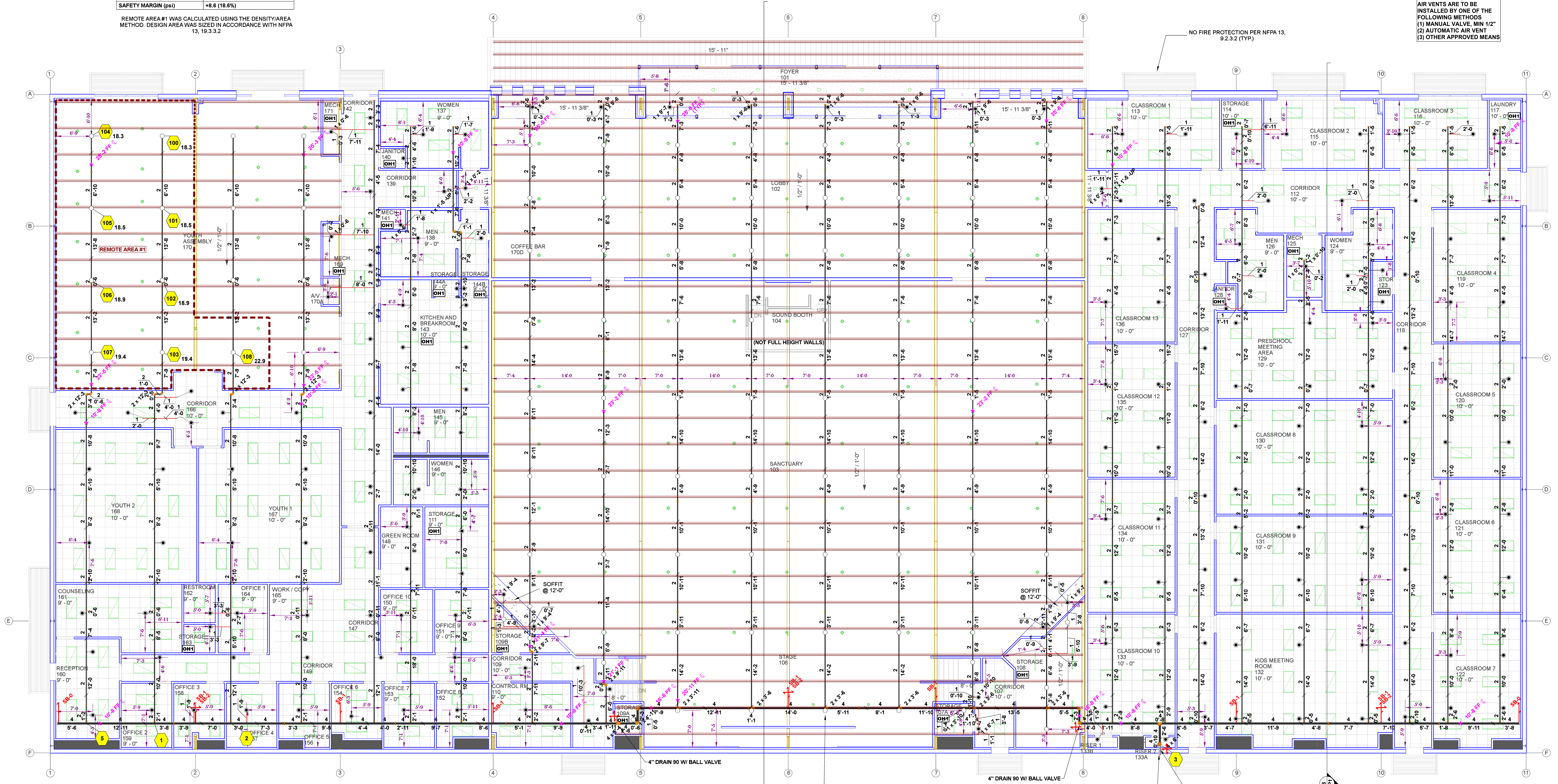
DRAWING TITLE
FIRE PROTECTION SITE PLAN
LEVEL 1

SHEET
1 of 2

Hydraulic Information	
Remote Area 1	
OCCUPANCY CLASSIFICATION	Light Hazard
DENSITY (gpm/ft ²)	0.10 for 1500 ft ² (Actual 1592 ft ²)
TOTAL HOSE STREAMS	100.0
TOTAL HEADS FLOWING	9
K-FACTOR	5.6
TOTAL WATER REQUIRED	273.1
TOTAL PRESSURE REQUIRED	37.7
BASE of RISER (gpm)	273.1
BASE of RISER (psi)	37.7
SAFETY MARGIN (psi)	+8.8 (18.6%)

REMOTE AREA #1 WAS CALCULATED USING THE DENSITY/AREA METHOD. DESIGN AREA WAS SIZED IN ACCORDANCE WITH NFPA 13, 19.3.3.2

AS STATED IN 16.7, AT THE DISCRETION OF THE INSTALLER, AUTOMATIC AIR VENTS ARE TO BE INSTALLED BY ONE OF THE FOLLOWING METHODS:
 (1) MANUAL VALVE, MIN 1/2"
 (2) AUTOMATIC AIR VENT
 (3) OTHER APPROVED MEANS



MAIN LEVEL FIRE SPRINKLER PLAN
 SCALE: 1/8" = 1'-0"



Sprinkler Legend												
Symbol	Manufacturer	SIN	Model	Quantity	K-Factor	Type	Size	Response	Finish	Temp	Note	MAX SPACING
●	Viking	VK3021	185	185	5.6	Pendent	1/2"	Quick	Brass	155 °F	SEMI-REC	15x15'
○	Viking	VK3001	94	94	5.6	Upright	1/2"	Quick	White Polyester	155 °F	N/A	15x15'
				Total =	279							

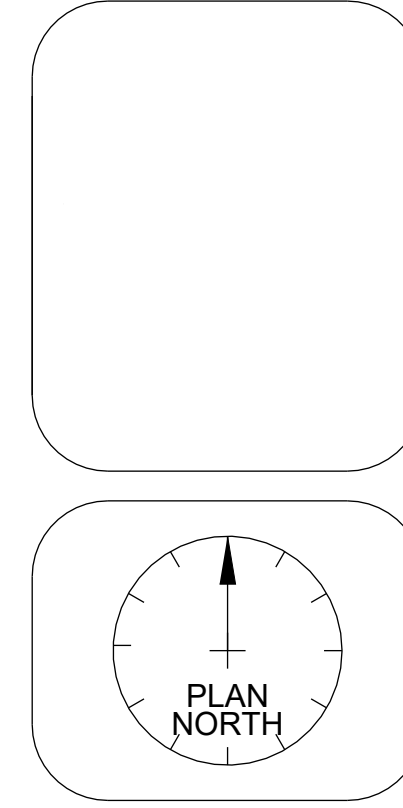
REVISIONS	
No.	Description

DRAWN BY
ZBS

SCALE
 1/8" = 1'-0"

DATE
 11/06/2023

JOB NUMBER



CENTRAL BAPTIST CHURCH
 6205 HWY 49 SOUTH
 PARAGOULD, ARKANSAS 72450

DRAWING TITLE
FIRE SPRINKLER PLAN
 LEVEL 1

SHEET
2 of 2