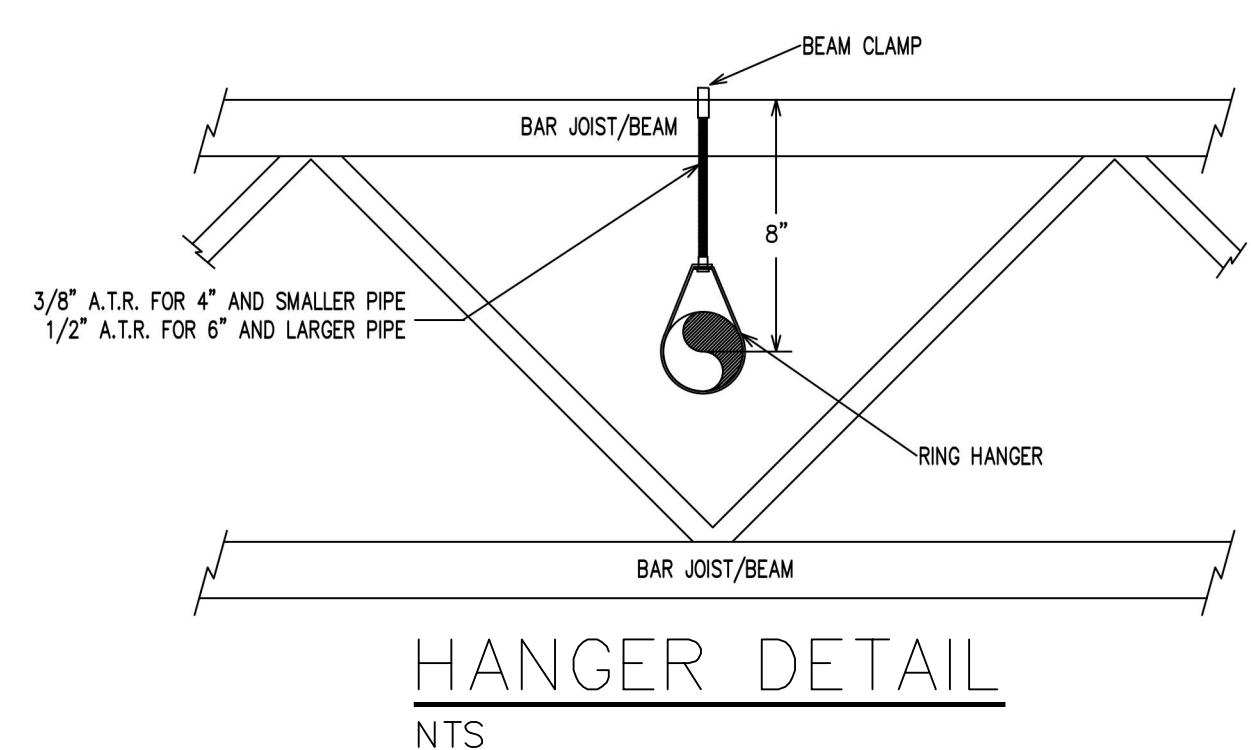
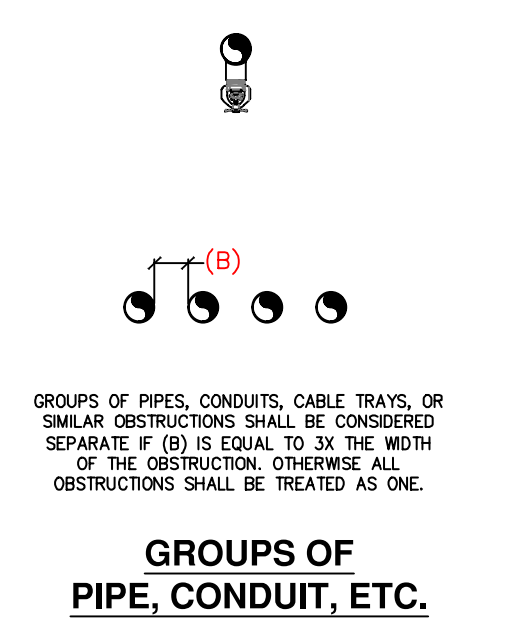


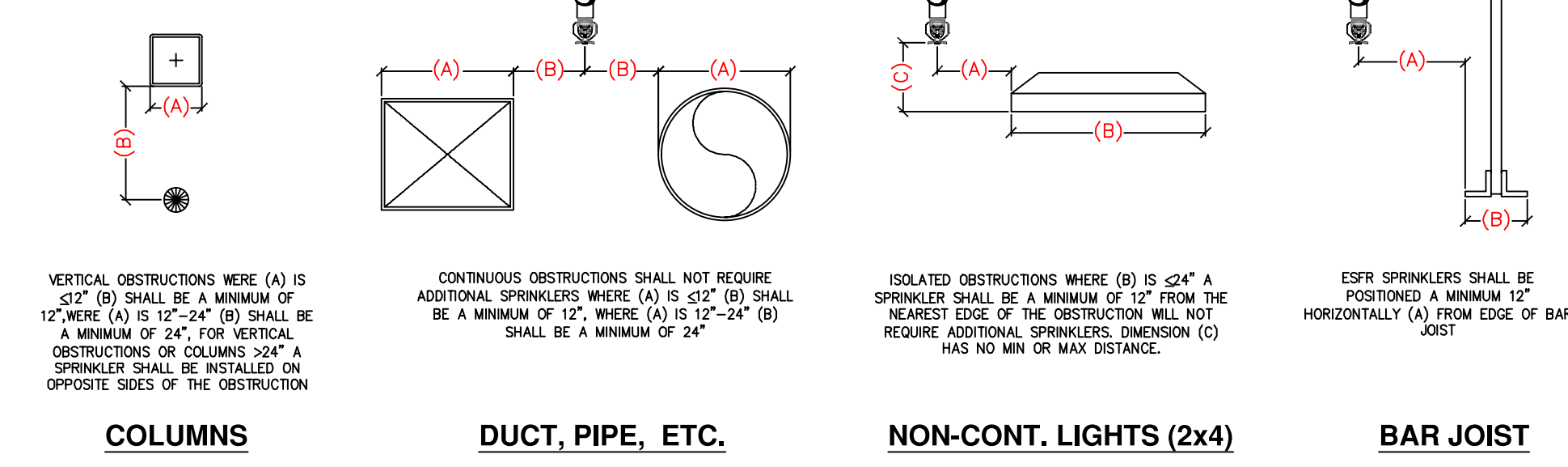
- GENERAL NOTES**
- INTERNATIONAL BUILDING & FIRE CODE (2015)
 - OCCUPANCY: S-1
 - TYPE OF CONSTRUCTION: I-B
 - SPRINKLERED AREA (APPROXIMATE - SEE ARCHITECTURAL PLANS FOR ACTUAL)
 - ZONE 1 ESFR = 37,389 S.F.
 - ZONE 2 ESFR = 37,678 S.F.
 - ZONE 3 ESFR = 39,992 S.F.
 - ZONE 4 ESFR = 23,981 S.F.
 - ZONE 5 ESFR = 35,629 S.F.
 - ZONE 6 ESFR = 35,925 S.F.
 - ZONE 7 ESFR = 39,043 S.F.
 - INSTALLATION STANDARDS:
 - SPRINKLER SYSTEM DESIGNED AND INSTALLED PER NFPA-13 (2013)
 - FIRE PUMP DESIGNED AND INSTALLED PER NFPA-20 (2013)
 - SPRINKLER PIPE TYPES:
 - BRANCH LINES TO BE BLK MEGA THREAD PIPING WITH THREADED FITTINGS
 - 1/2" THROUGH 4" MAIN & BRANCH LINES TO BE BLK LIGHTWALL PIPING WITH SHORT RADIUS GROOVED FITTINGS
 - 6" THROUGH 8" MAIN TO BE BLK SCH 10 PIPING WITH SHORT RADIUS GROOVED FITTINGS
 - DESIGN CRITERIA:
 - LIGHT HAZARD AREAS DESIGNED TO DELIVER 0.10 GPM/S.F. OVER THE MOST DEMANDING 1500 S.F.
 - ORDINARY HAZARD GROUP I AREAS DESIGNED TO DELIVER 0.15 GPM/S.F. OVER THE MOST DEMANDING 1500 S.F.
 - REMOTE AREA REDUCTIONS HAVE BEEN TAKEN WHERE APPLICABLE PER NFPA 13 SEC. 11.2.3.2.3
 - STORAGE DESIGN CRITERIA:
 - NFPA 13 = 12 SPRINKLERS @ 52 PSI PER NFPA 13 TABLES:
 - 14.4.1. ALLOWS FOR THE STORAGE OF CLASS I - IV COMMODITIES TO A HEIGHT OF 35' WITH A 40' MAX ROOF HEIGHT IN SOLID PILES.
 - 15.4.1. ALLOWS FOR THE STORAGE OF CARTONED UNEXPANDED AND EXPOSED UNEXPANDED GROUP "A" PLASTICS TO A HEIGHT OF 35' WITH A 40' MAX ROOF HEIGHT IN SOLID PILES.
 - 16.3.3.1. ALLOWS FOR THE STORAGE CLASS I - IV COMMODITIES TO A HEIGHT OF 35' WITH A 40' MAX ROOF HEIGHT IN RACKS.
 - 17.3.1.1. ALLOWS FOR THE STORAGE OF CARTONED UNEXPANDED AND EXPOSED UNEXPANDED GROUP "A" PLASTICS TO A HEIGHT OF 35' WITH A 40' MAX ROOF HEIGHT IN RACKS.
 - NO STORAGE OF CARTONED EXPANDED OR EXPOSED EXPANDED GROUP "A" PLASTICS IN RACKS OR SOLID PILES.
 - NO TIRE STORAGE OR ROLLED PAPER
 - NOTES:
 - OPEN-FRAME RACK STORAGE
 - 35'-0" MAX TO THE TOP OF STORAGE
 - 40'-0" MAX CEILING HEIGHT
 - NO PLASTIC CONTAINERS
 - NO OPEN TOP CONTAINERS
 - HYDRAULIC CALCULATIONS PERFORMED USING THE FUTURE LOOPED UNDERGROUND AS PROVIDED BY THE LOCAL AUTHORITY HAVING JURISDICTION.
 - NOTES:
 - ALL MATERIAL TO BE NEW AND MEET U.L. STANDARDS
 - HANGERS TO BE INSTALLED IN ACCORDANCE WITH NFPA 13 (2013) - SEE PLAN FOR HANGING REQUIREMENTS
 - SYMBOLS USED ON DRAWINGS:
 - PIPE ELEVATION A.F.F.
 - PIPE ELEVATION BELOW B.O.D.
 - ROOM HAZARD CLASSIFICATION (ALL ROOMS ARE CONSIDERED LIGHT HAZARD UNLESS NOTED WITH EXCEPTION OF THE WAREHOUSE)
 - HYDRAULIC CALCULATION JUNCTION POINT
 - CEILING HEIGHT
 - SCOPE OF WORK:
 - ALL AREAS OF THE NEW FACILITY TO BE INSTALLED AND COVERED IN ACCORDANCE WITH THE LOCAL AUTHORITY HAVING JURISDICTION AND PER NFPA 13 (2013).
 - ALL AREAS OF THE WAREHOUSE TO BE PROTECTED WITH ESFR WET PIPE SYSTEMS. OWNER TO ENSURE 40' MIN TEMP.
 - FIRE PUMP TO BE INSTALLED IN ACCORDANCE WITH NFPA 20 (2013).



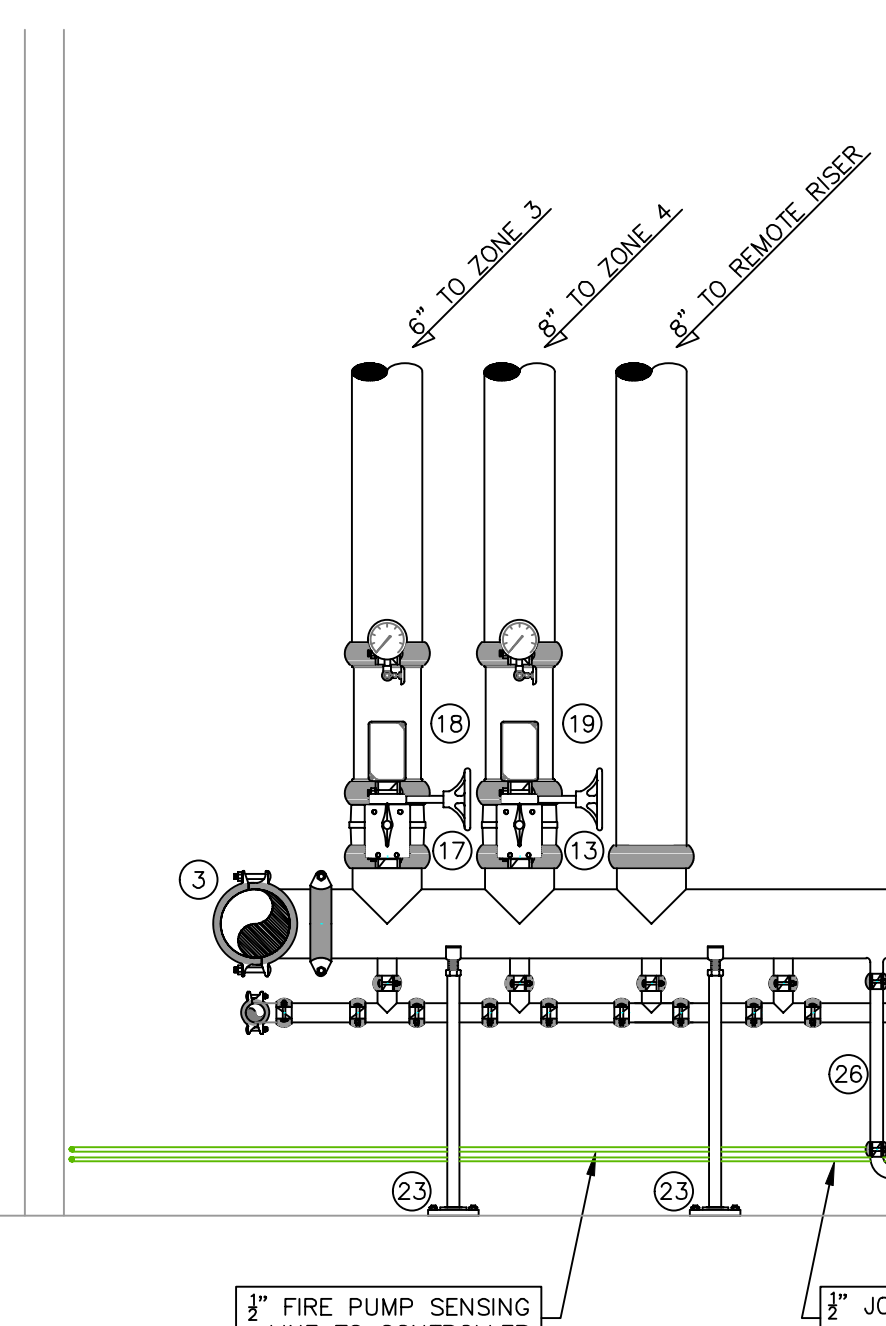
NEW ESFR ZONE #7 39,043 SF.	NEW ESFR ZONE #3 39,592 SF.
NEW ESFR ZONE #6 35,925 SF.	NEW ESFR ZONE #2 37,678 SF.
NEW ESFR ZONE #5 35,629 SF.	NEW ESFR ZONE #1 37,389 SF.



ESFR DETAILS

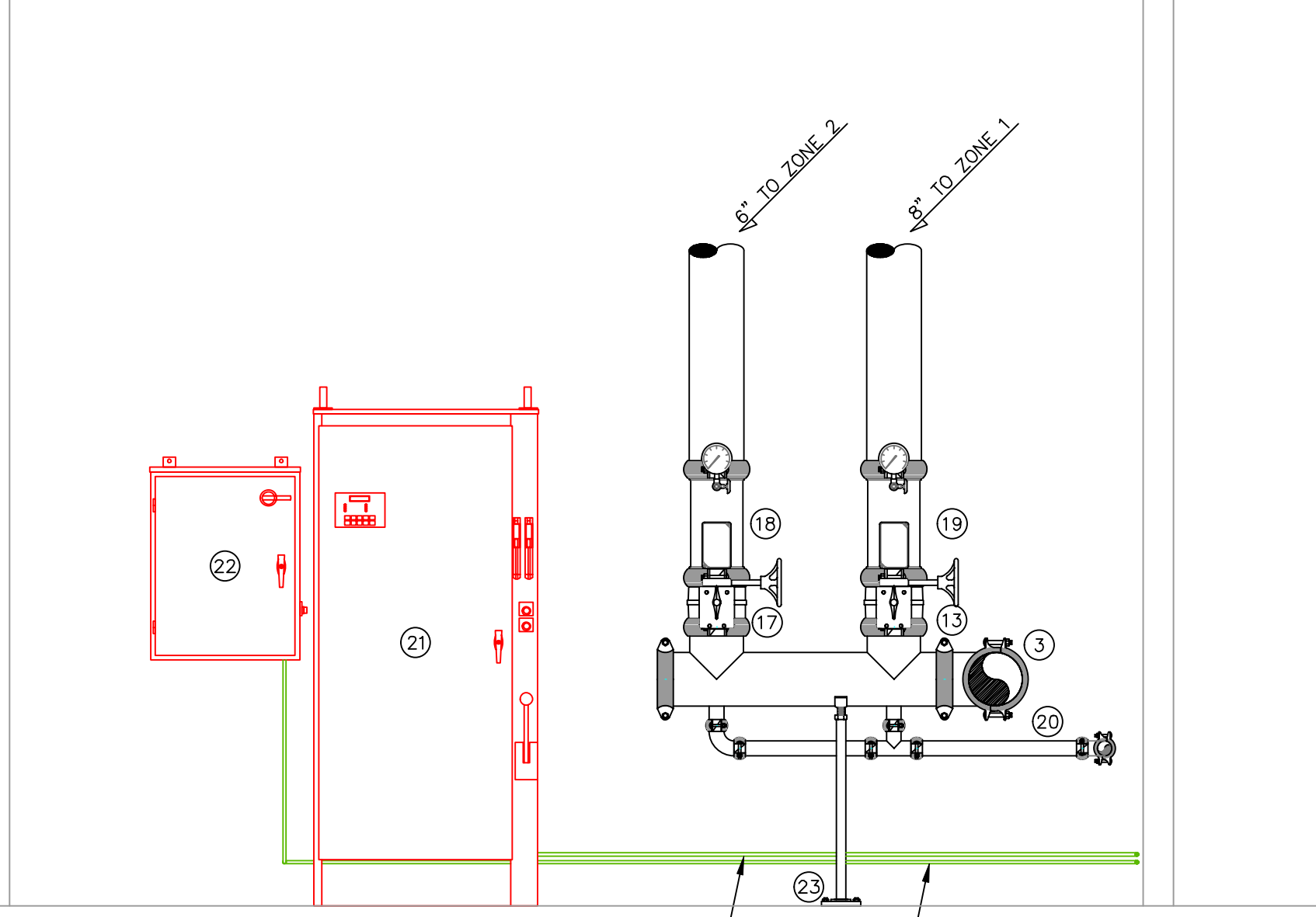


ZONE MAP



RISER LEGEND

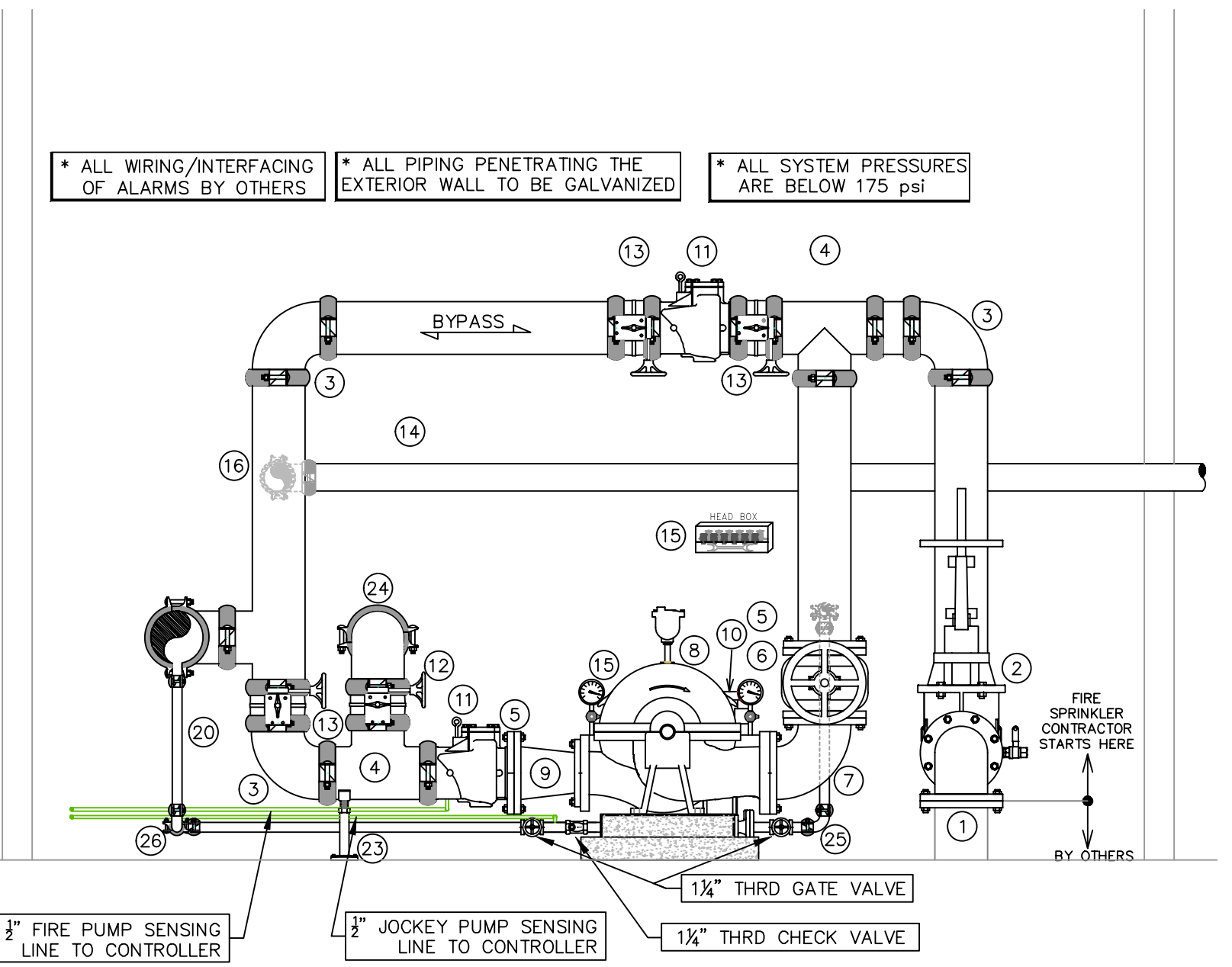
- 8" WATER UNDERGROUND SERVICE (BY OTHERS) (FLUSHING & TESTING OF THE UNDERGROUND SHALL BE COMPLETED PRIOR TO THE SPRINKLER SYSTEM HOOKUP. UNDERGROUND PAPERS ARE TO BE SUPPLIED TO THE "FP" CONTRACTOR BY THE G.C.)
- 8" BURN WILKINS 375ADA REDUCED PRESSURE DETECTOR ASSEMBLY BACKFLOW WITH OS&Y GATES (TAMPURED)
- 8" GROOVED 90 ELBOW
- 8" GROOVED TEE
- 8" FLANGED OS&Y GATE VALVE (TAMPURED)
- 4" OUT TO FDC
- 8" FLANGED 90 ELBOW
- PATTERSON FIRE PUMP 1,500gpm @ 100psi (125HP, 460V/3 PHASE)
- 6"x8" CONCENTRIC INCREASER
- JOCKEY PUMP (2.0 HP)
- 8" GROOVED CHECK VALVE
- 8" BUTTERFLY VALVE w/ TAMPER (NORMALLY CLOSED)
- 8" BUTTERFLY VALVE w/ TAMPER NORMALLY OPEN
- 4" SPARE HEAD BOX
- 4" GROOVED 90
- 6" BUTTERFLY VALVE w/ TAMPER NORMALLY OPEN
- 6" GROOVED COMMERCIAL RISER MANIFOLD w/ 2" TEST & DRAIN, PRESSURE GAUGE, AND FLOW SWITCH
- 8" GROOVED COMMERCIAL RISER MANIFOLD w/ 2" TEST & DRAIN, PRESSURE GAUGE, AND FLOW SWITCH
- PIPE STAND
- FIRE PUMP CONTROLLER
- JOCKEY PUMP CONTROLLER
- 8" OUT TO TEST HEADER
- 1 1/2" JOCKEY PUMP SUPPLY PIPING
- 1 1/2" JOCKEY PUMP DISCHARGE PIPING



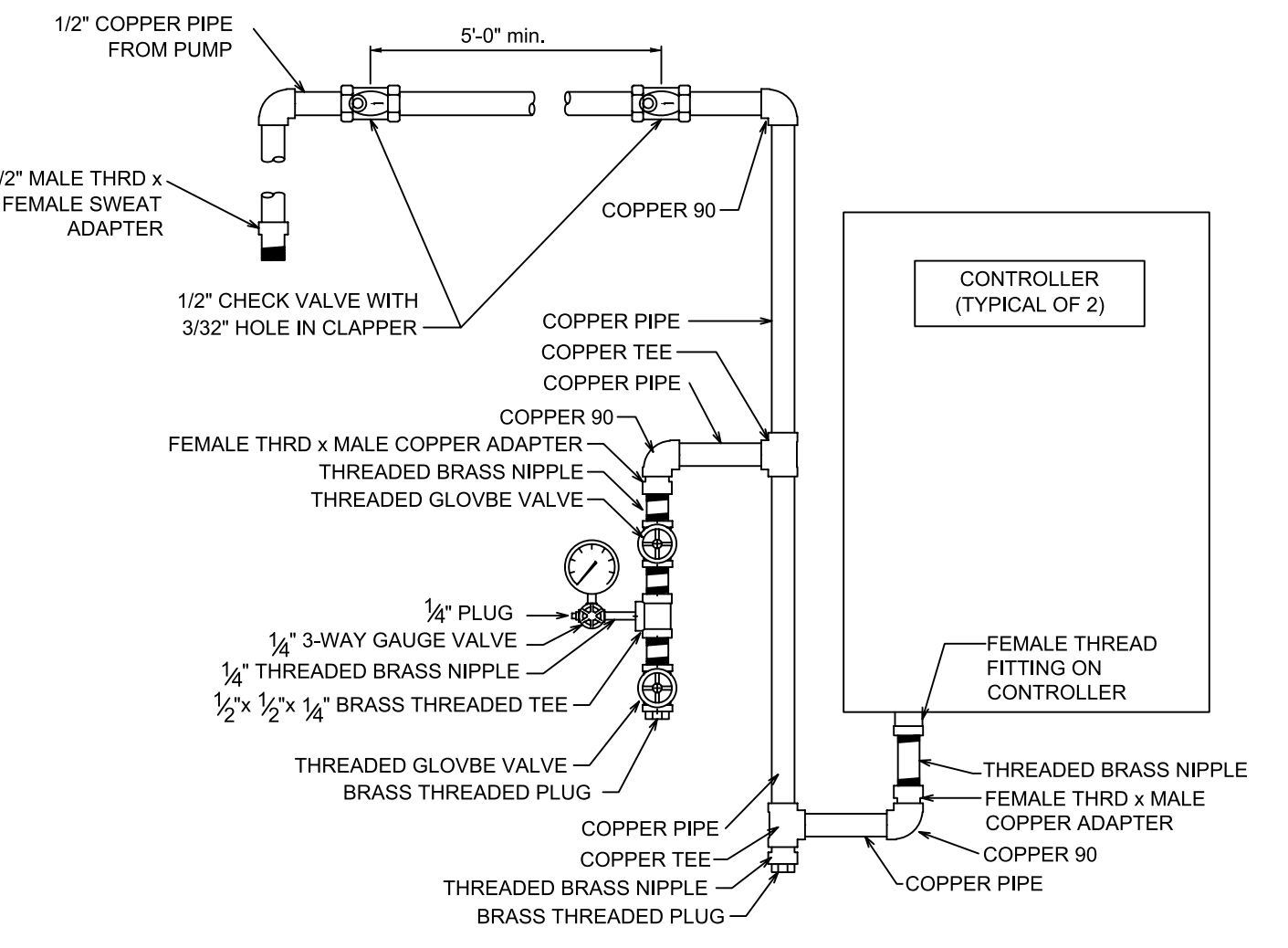
3 PUMP ROOM SECTION
SCALE: 1/2" = 1'-0"



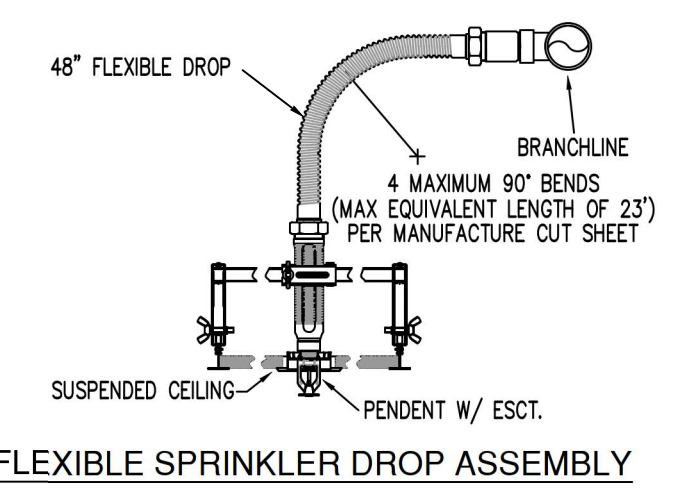
2 PUMP ROOM SECTION
SCALE: 1/2" = 1'-0"



1 PUMP ROOM SECTION
SCALE: 1/2" = 1'-0"



SENSING LINE DETAIL
N.T.S.



FLEXIBLE SPRINKLER DROP ASSEMBLY

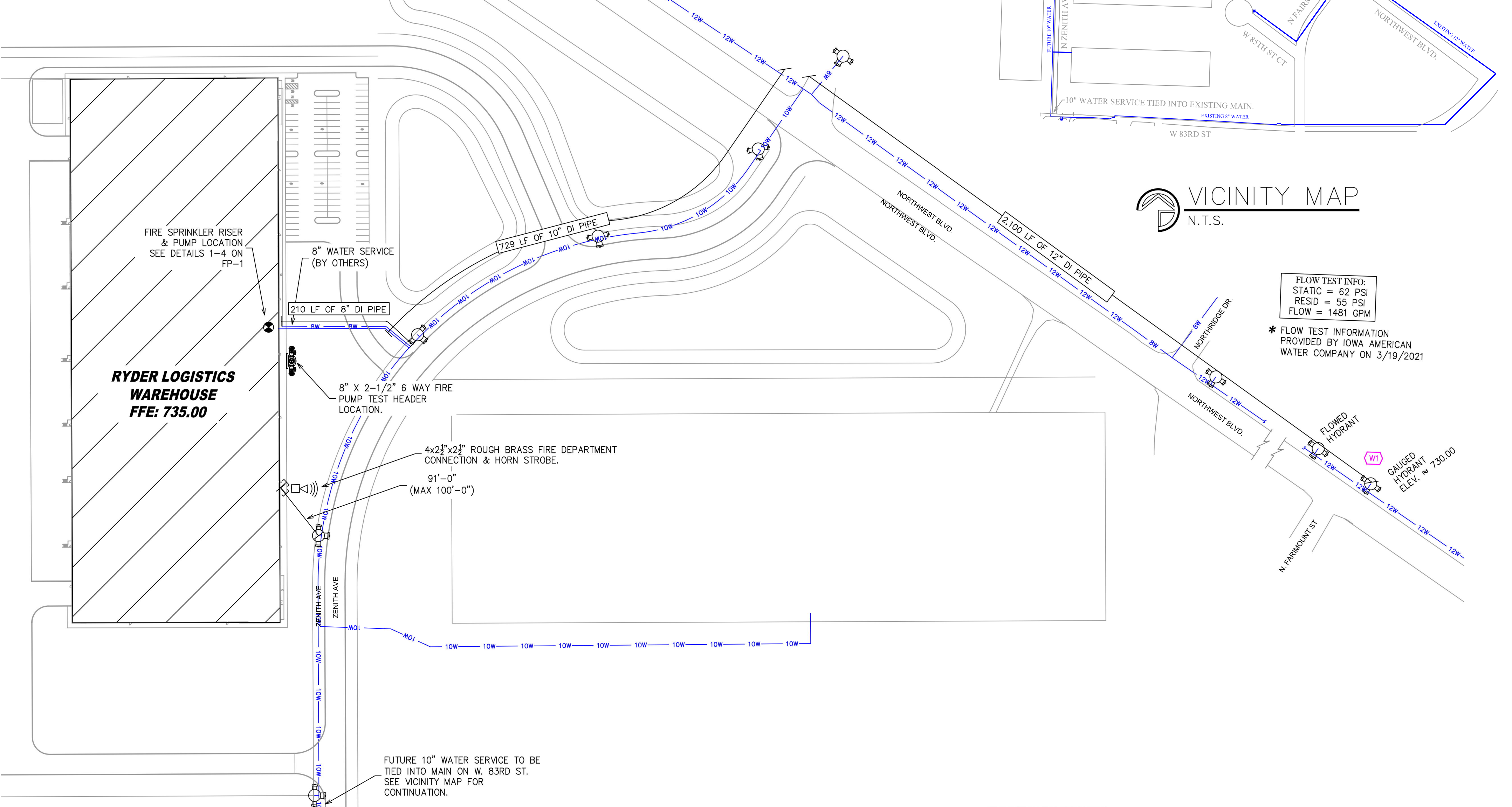
MAXIMUM DISTANCE BETWEEN HANGERS (FT.-IN.)

STEEL PIPE EXCEPT THREADED LIGHTWALL	NOMINAL PIPE SIZE (IN.)								
	1"	1 1/4"	1 1/2"	2"	2 1/2"	3"	4"	6"	8"
THREADED LIGHTWALL STEEL PIPE	12-0	12-0	15-0	15-0	15-0	15-0	15-0	15-0	15-0

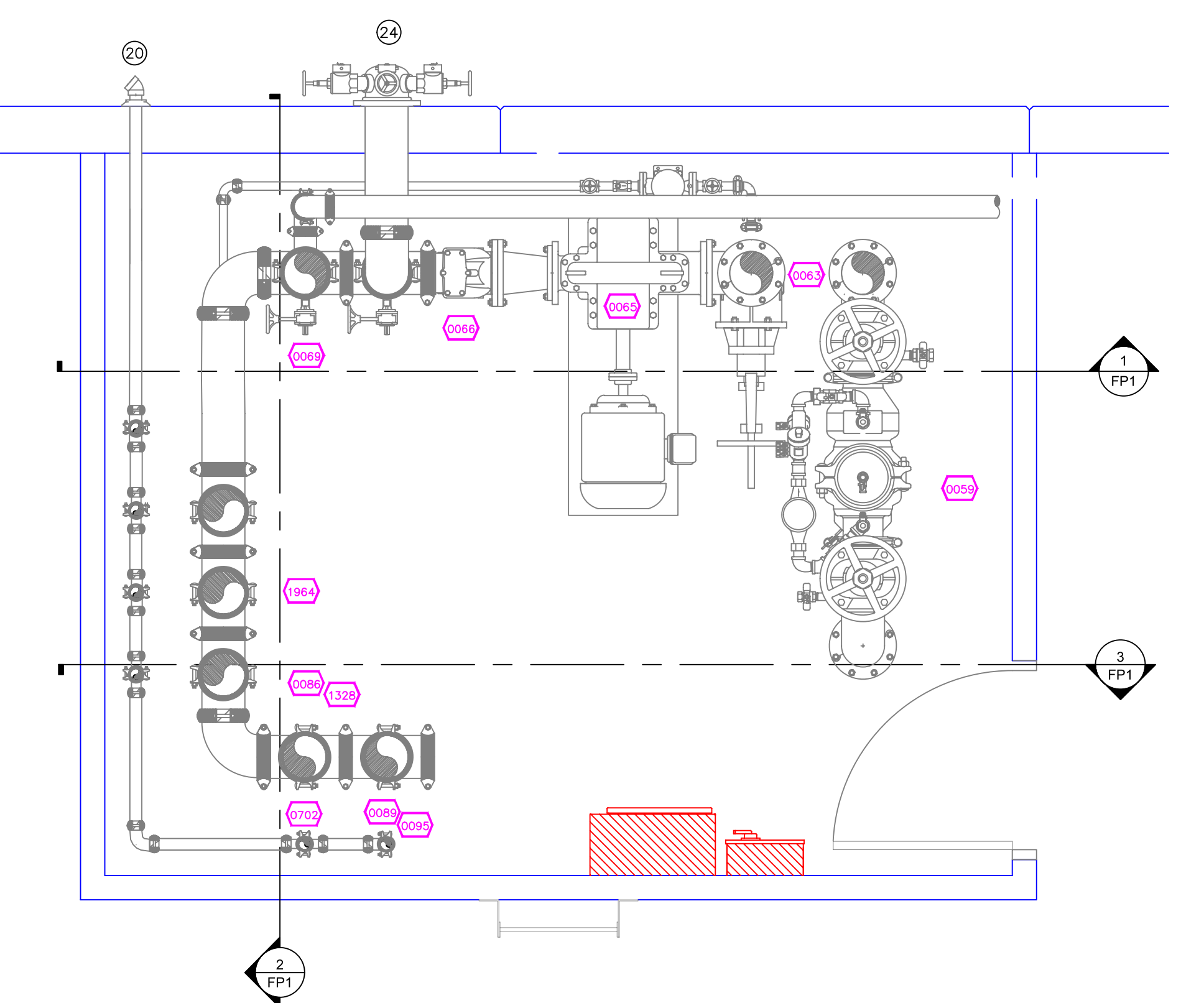
NFPA 13 HANGER SPACING

HEAD LEGEND

SYM	CNT	POSITION	FINISH	TEMP	K	NPT	SIN	MFG.	MODEL#	ESCU/CHGN	MAX SPACING
2484		PENDENT	BRASS	205	16.80	3/4"	VK503	VIKING	VK-ESFR	N/A	100 S.F.
19		PENDENT	CHROME	155	11.20	3/4"	VK534	VIKING	VKEC	SEMI-RECESS	20X20
4		UPRIGHT	BRASS	200	5.60	1/2"	VK300	VIKING	MICROFAST	N/A	130 S.F.
2507 TOTAL SPRINKLERS											



VICINITY MAP
N.T.S.



4 PUMP ROOM PLAN VIEW
SCALE: 1/2" = 1'-0"

SITE PLAN
SCALE: 1" = 100'-0"



NO.	DATE	REVISIONS	DRAWN	CHECKED

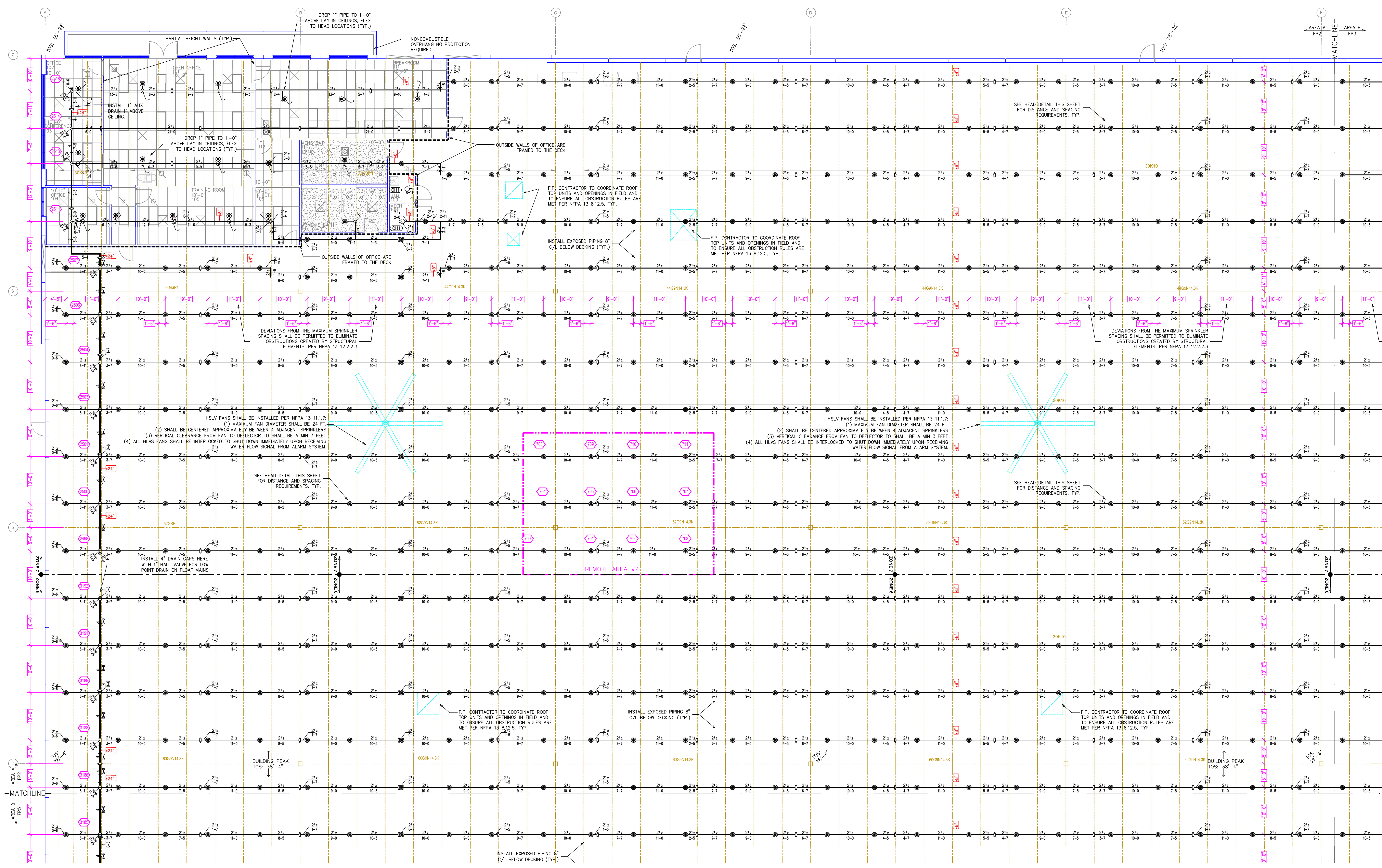
PROJECT NAME: FIRE SPRINKLER PLANS FOR
RYDER LOGISTICS WAREHOUSE
8730 NORTHWEST BLVD.
DAVENPORT, IA 52806

STAMP:
DRAWING TITLE:
FIRE SPRINKLER PLAN
SCALE: 1/8"=1'-0" DWG NO.:
DRAWN BY: JVG
DATE: 11/19/21
CHECKED BY: RK
SHEET 1 OF 7
FP-1



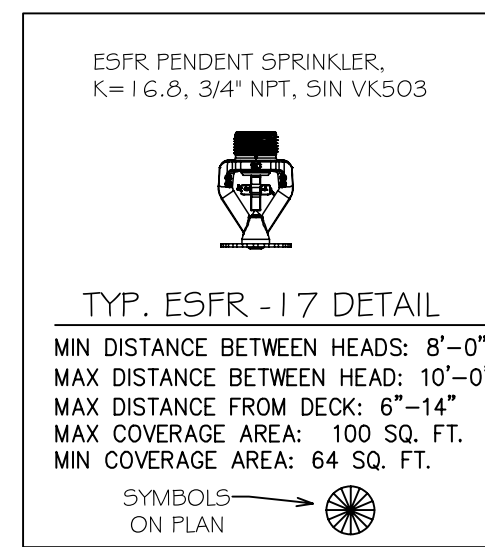
910 N. SYCAMORE AVENUE, ST. LOUIS, MO 63105 PHONE: (635)-444-9290

CLIENT:



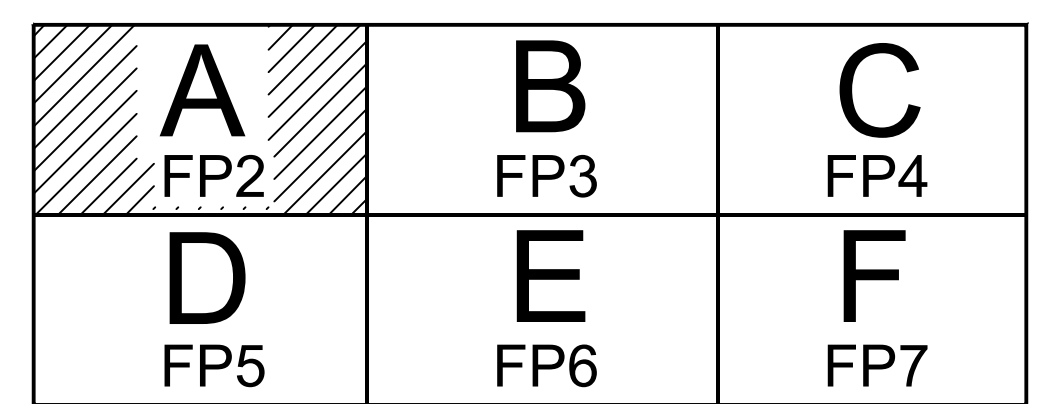
FIRE SPRINKLER PLAN - AREA A
SCALE: 1/8" = 1'-0"

SPRINKLER SPACING DETAIL



HAZARD: ESFR
Zone: 7 System Type: WET
Location: WAREHOUSE
Flowing Outlet: 12
Head PSI: 52 Remote Area: 12 HEADS
Req. @ Pump Discharge (BOR):
Flow: 1499.8 gpm @ 115.1 psi
Req. @ City Supply
Flow: 1709.8 gpm @ 45.2 psi
Calculation Safety: 7.6 psi
Includes 250 gpm hose allowance

NEW ESFR ZONE #7 39,043 SF.	NEW ESFR ZONE #4 23,691 SF.	NEW ESFR ZONE #3 39,592 SF.
NEW ESFR ZONE #6 35,925 SF.		NEW ESFR ZONE #2 37,679 SF.
NEW ESFR ZONE #5 35,629 SF.		NEW ESFR ZONE #1 37,368 SF.



ZONE MAP
NTS

KEY PLAN
NTS

HEAD LEGEND

SYM	CNT	POSITION	FINISH	TEMP	K	NPT	SIN	MFG.	MODEL#	ESCUTCHEON	MAX SPACING
●	2484	PENDENT	BRASS	205	16.80	3/4"	VK503	VIKING	VK-ESFR	N/A	100 S.F.
○	19	PENDENT	CHROME	155	11.20	3/4"	VK534	VIKING	VKEC	SEMI-RECESS	20X20
○	4	UPRIGHT	BRASS	200	5.60	1/2"	VK300	VIKING	MICROFAST	N/A	130 S.F.

2507 TOTAL SPRINKLERS

NO.	DATE	REVISIONS	DRAWN	CHECKED

PROJECT NAME: FIRE SPRINKLER PLANS FOR
RYDER LOGISTICS WAREHOUSE
8730 NORTHWEST BLVD.
DAVENPORT, IA 52806

STAMP:

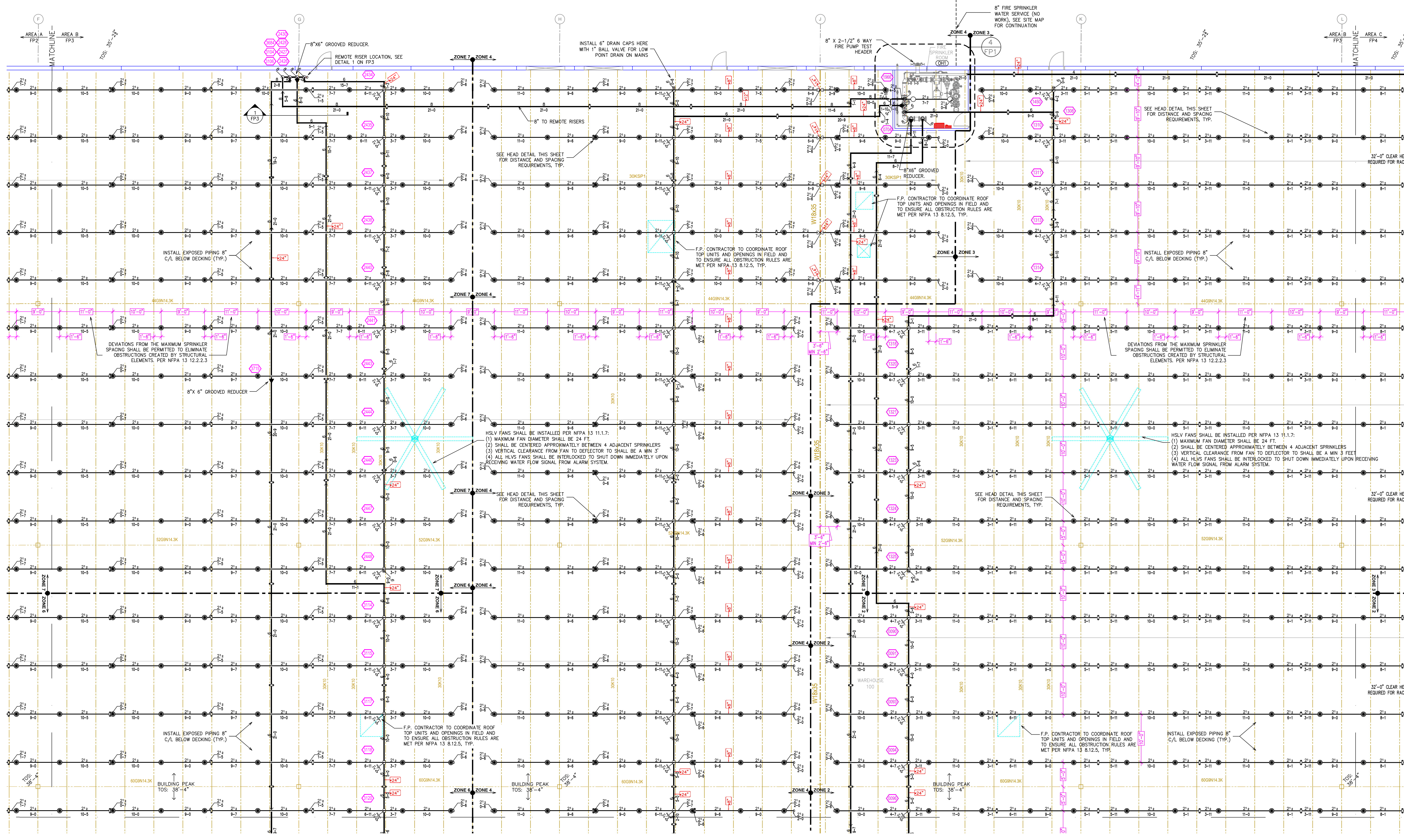
DRAWING TITLE:
FIRE SPRINKLER PLAN

SCALE: 1/8"=1'-0" DWG NO.:
DRAWN BY: JVG
DATE: 11/19/21
CHECKED BY: RK SHEET 2 OF 7

CLIENT:

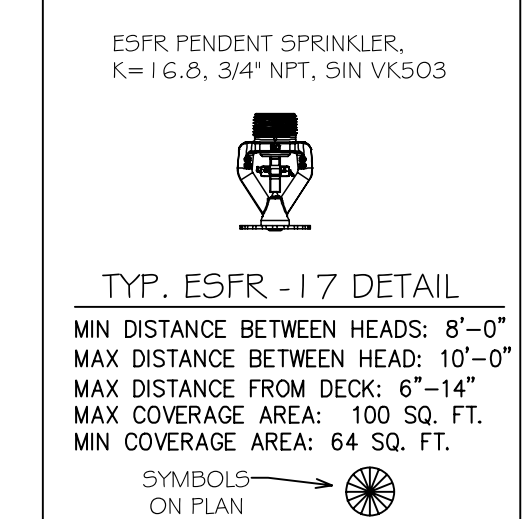


910 N. SYCAMORE AVENUE, SIOUX FALLS, SD 57110 PHONE: (605)-444-9290



FIRE SPRINKLER PLAN - AREA B
SCALE: 1/8" = 1'-0"

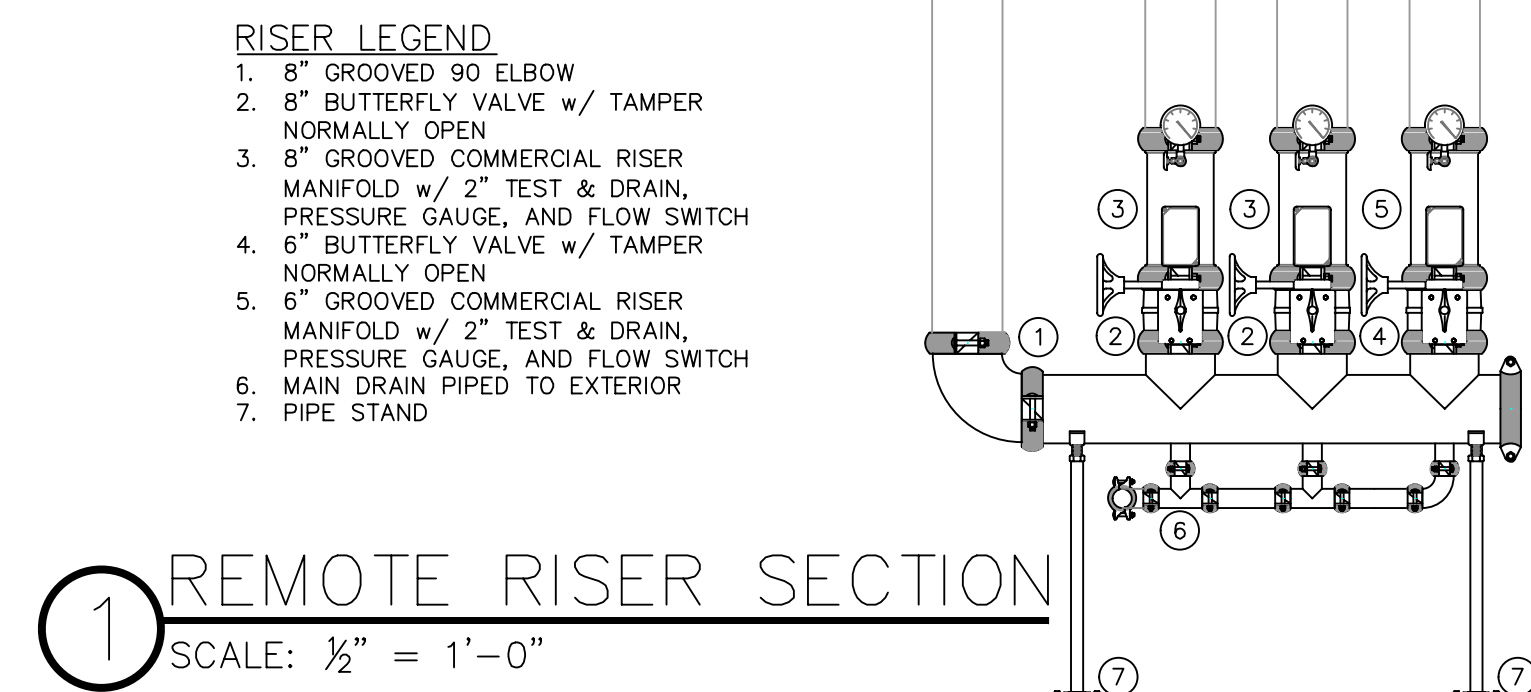
SPRINKLER SPACING DETAIL



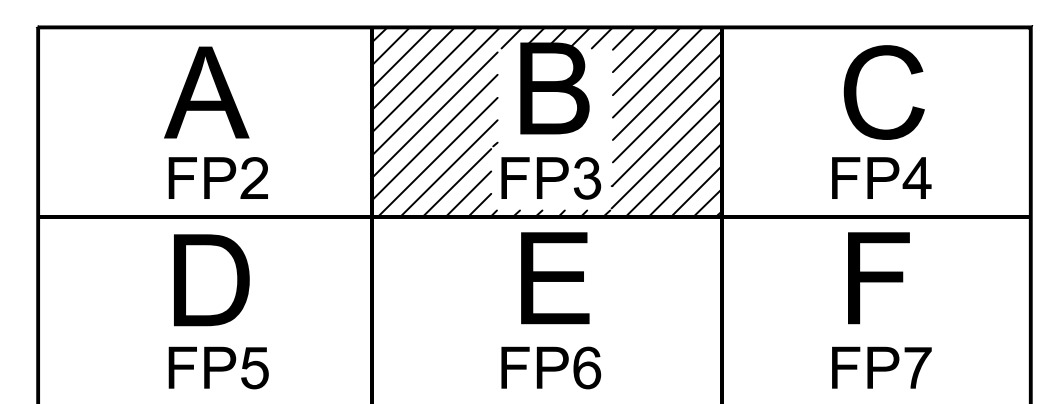
HEAD LEGEND

SYM	INT	POSITION	FINISH	TEMP	K	NPT	SIN	MFG.	MODEL#	ESDC/SHOWN	MAX SPACING
●	2484	PENDENT	BRASS	205	16.80	3/4"	VK503	VIKING	N/A	ESFR	100 S.F.
○	19	PENDENT	CHROME	155	11.20	3/4"	VK534	VIKING	VKEC	SEMI-RECESS	20X20
○	4	UPRIGHT	BRASS	200	5.60	1/2"	VK300	VIKING	MICROFAST	N/A	130 S.F.

2507 TOTAL SPRINKLERS



NEW ESFR ZONE #7 39,043 SF.	NEW ESFR ZONE #3 39,592 SF.
NEW ESFR ZONE #6 35,925 SF.	NEW ESFR ZONE #2 37,678 SF.
NEW ESFR ZONE #5 35,629 SF.	NEW ESFR ZONE #1 37,368 SF.



KEY PLAN
NTS

ZONE MAP
NTS

NO.	DATE	REVISIONS	DRAWN	CHECKED

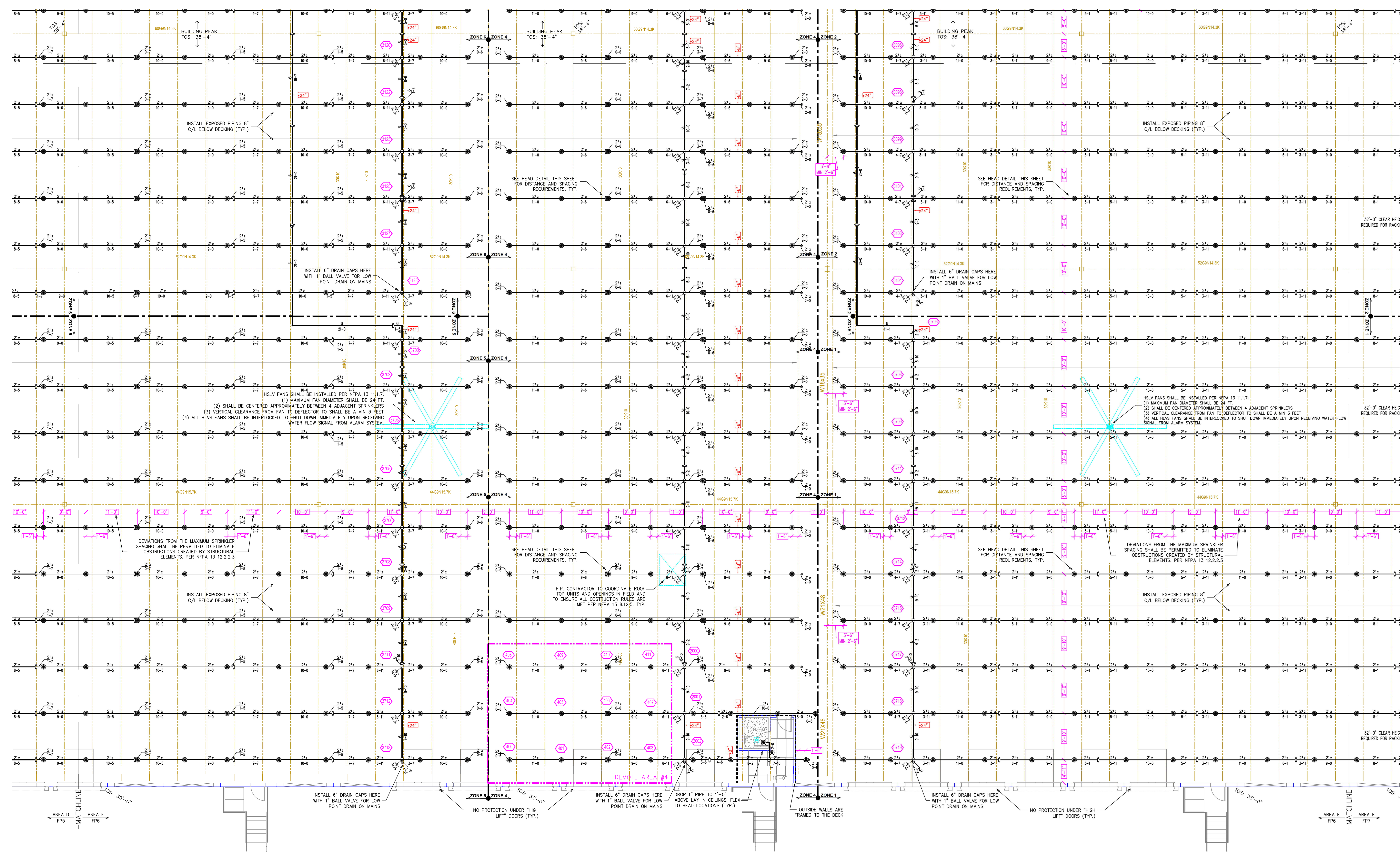


PROJECT NAME: FIRE SPRINKLER PLANS FOR
RYDER LOGISTICS WAREHOUSE
8730 NORTHWEST BLVD.
DAVENPORT, IA 52806

STAMP:

DRAWING TITLE:
FIRE SPRINKLER PLAN

SCALE: 1/8"=1'-0" DWG NO.: **FP-3**
DRAWN BY: JVG
DATE: 11/19/21
CHECKED BY: RK SHEET 3 OF 7



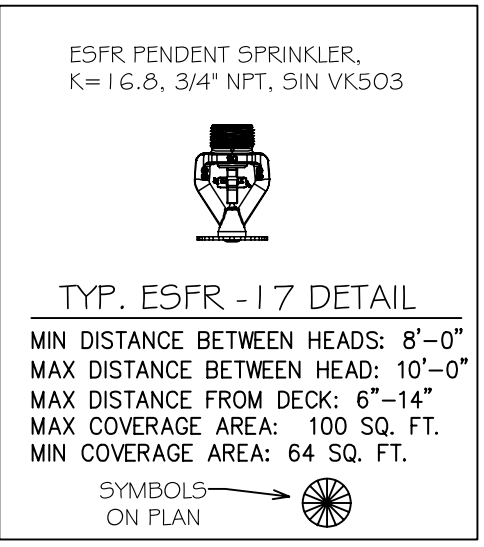
FIRE SPRINKLER PLAN - AREA E
 SCALE: 1/8" = 1'-0"

SPRINKLER SPACING DETAIL

HEAD LEGEND

SYM	CNT	POSITION	FINISH	TEMP	K	INPT	SIN	MFG.	MODEL#	ESCUTCHEON	MAX SPACING
●	2484	PENDENT	BRASS	205	16.80	3/4"	VK503	VIKING	VK-ESFR	N/A	100 S.F.
○	19	PENDENT	CHROME	155	11.20	3/4"	VK534	VIKING	VK-EC	SEMI-RECESS	20X20
□	4	UPRIGHT	BRASS	200	5.60	1/2"	VK300	VIKING	MICROFAST	N/A	130 S.F.

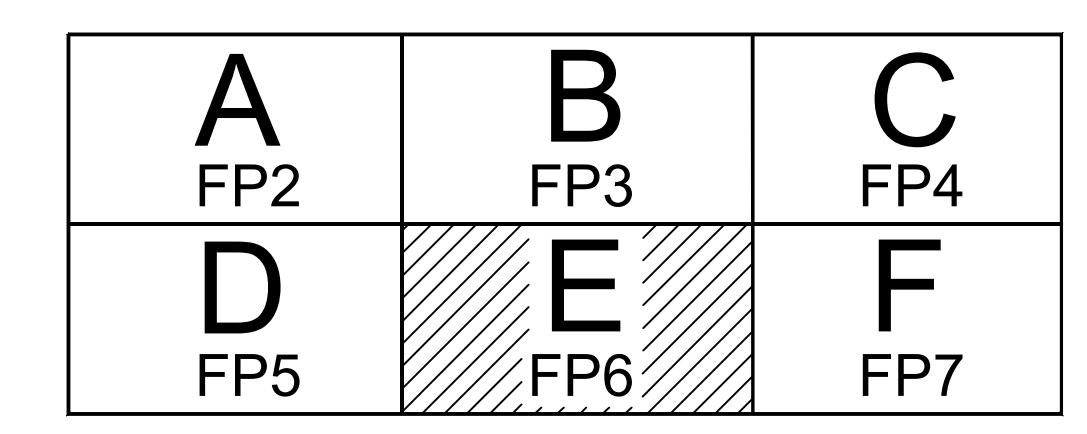
2507 TOTAL SPRINKLERS



CALC PLACARD

Design Area # 4 HAZARD: ESFR
 Zone: 4 System Type: WET
 Location: WAREHOUSE
 Flowing Outlets: 12
 Head PSI: 52 Remote Area: 12 HEADS
 Req. @ Pump Discharge (BOR):
 Flow: 1476.8 gpm @ 117.2 psi
 Req. @ City Supply
 Flow: 1726.8 gpm @ 47.9 psi
 Calculation Safety: 4.8 psi
 Includes 250 gpm hose allowance

NEW ESFR ZONE #7 39,043 SF.	NEW ESFR ZONE #3 39,592 SF.
NEW ESFR ZONE #6 35,925 SF.	NEW ESFR ZONE #2 37,676 SF.
NEW ESFR ZONE #5 35,629 SF.	NEW ESFR ZONE #1 37,368 SF.



ZONE MAP
 NTS

CLIENT:



NO.	DATE	REVISIONS	DRAWN	CHECKED

PROJECT NAME: FIRE SPRINKLER PLANS FOR
RYDER LOGISTICS WAREHOUSE
 6730 NORTHWEST BLVD.
 DAVENPORT, IA 52806

STAMP:

DRAWING TITLE:
FIRE SPRINKLER PLAN

SCALE: 1/8"=1'-0" DWG NO.:
FP-6

DRAWN BY: JVG
 DATE: 11/19/21
 CHECKED BY: RK SHEET 6 OF 7

