

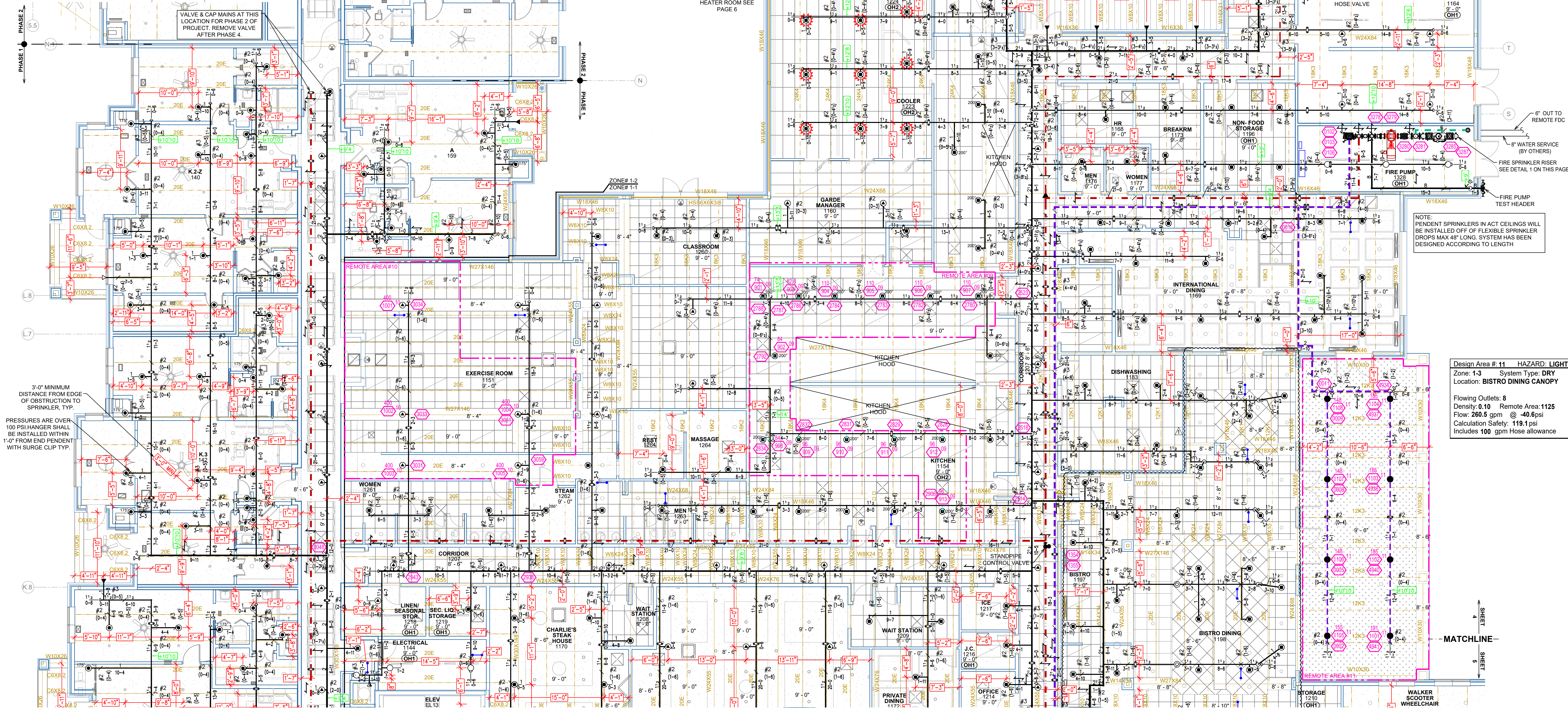
SYM	CNT	POSITION	FINISH	TEMP	K	NPT	SIN	MFG	MODEL#	ESCUTCHEON	HEAD BOX (2 min)
1	1	DRY SIDE	CHROME	200	5.60	1"	RA1664	RELIABLE	DHSD	STANDARD	N/A
2	1	PEND	WHITE	155	4.00	12"	VK468	VIKING	FREEDOM	SEMI-RECESSED	2
3	1	PEND	WHITE	175	4.00	12"	VK468	VIKING	FREEDOM	SEMI-RECESSED	2
4	1	PEND	CHROME	200	5.60	12"	VK3021	VIKING	MICROFAST	SEMI-RECESSED	2
5	1	PEND	CHROME	200	5.60	12"	VK3021	VIKING	MICROFAST	SEMI-RECESSED	2
6	1	PEND	CHROME	200	5.60	12"	VK3021	VIKING	MICROFAST	SEMI-RECESSED	2
7	1	PEND	CHROME	200	5.60	12"	VK3021	VIKING	MICROFAST	SEMI-RECESSED	2
8	1	DRY SIDE	CHROME	200	5.60	1"	VK182	VIKING	VK-DRY	STANDARD	N/A
9	1	DRY PEND	CHROME	200	5.60	12"	VK3001	VIKING	MICROFAST	N/A	N/A
10	1	DRY PEND	CHROME	200	5.60	1"	VK176	VIKING	VK-DRY	STANDARD	N/A
11	1	DRY PEND	CHROME	200	5.60	1"	VK180	VIKING	VK-DRY	SEMI-RECESSED	N/A

230 TOTAL HEADS  
3880 TOTAL FOR JOB  
HEAD CASE PENDUR

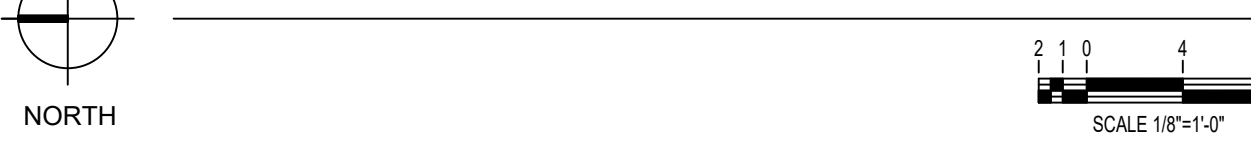
**SPRINKLER HEAD LEGEND**

**PIPE LEGEND**

- WET SYSTEM FIRE SPRINKLER PIPING
- DRY SYSTEM FIRE SPRINKLER PIPING
- STANDPIPE PIPING
- FOC PIPING

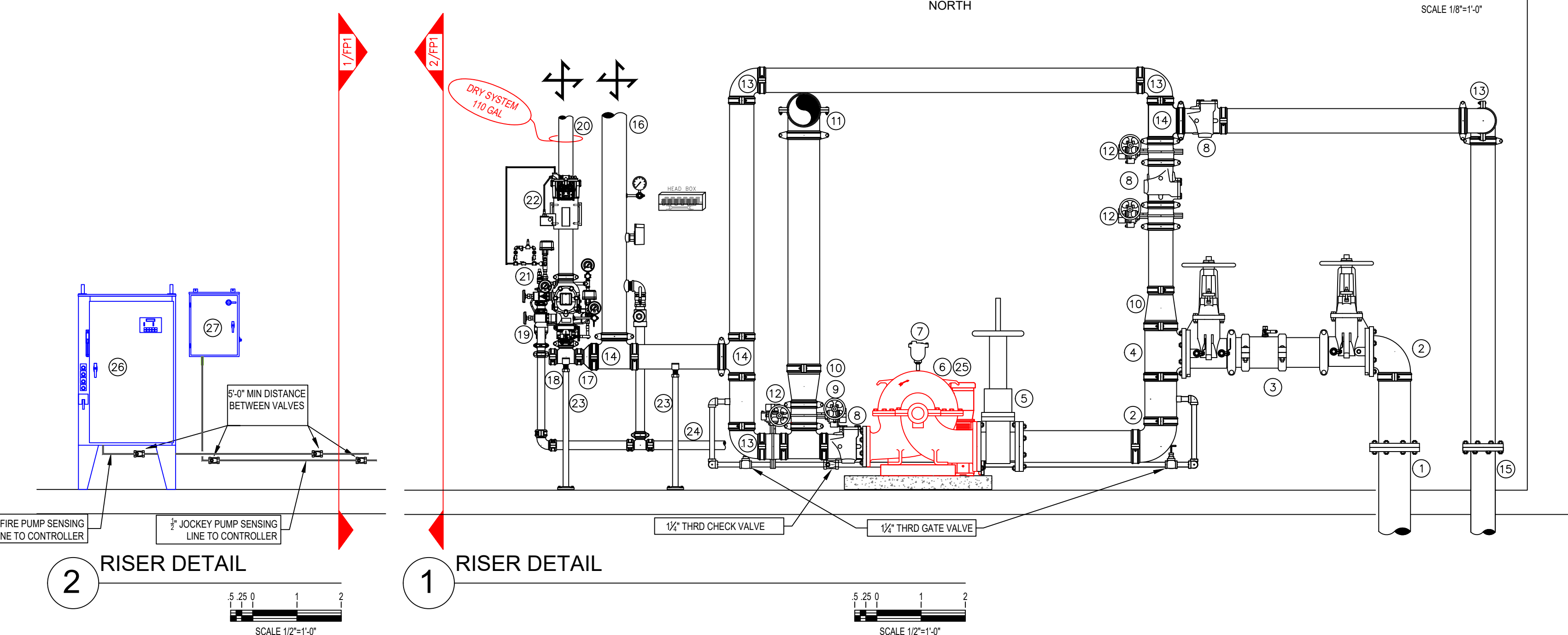


FIRE SPRINKLER PLAN - 1ST FLOOR AREA 1



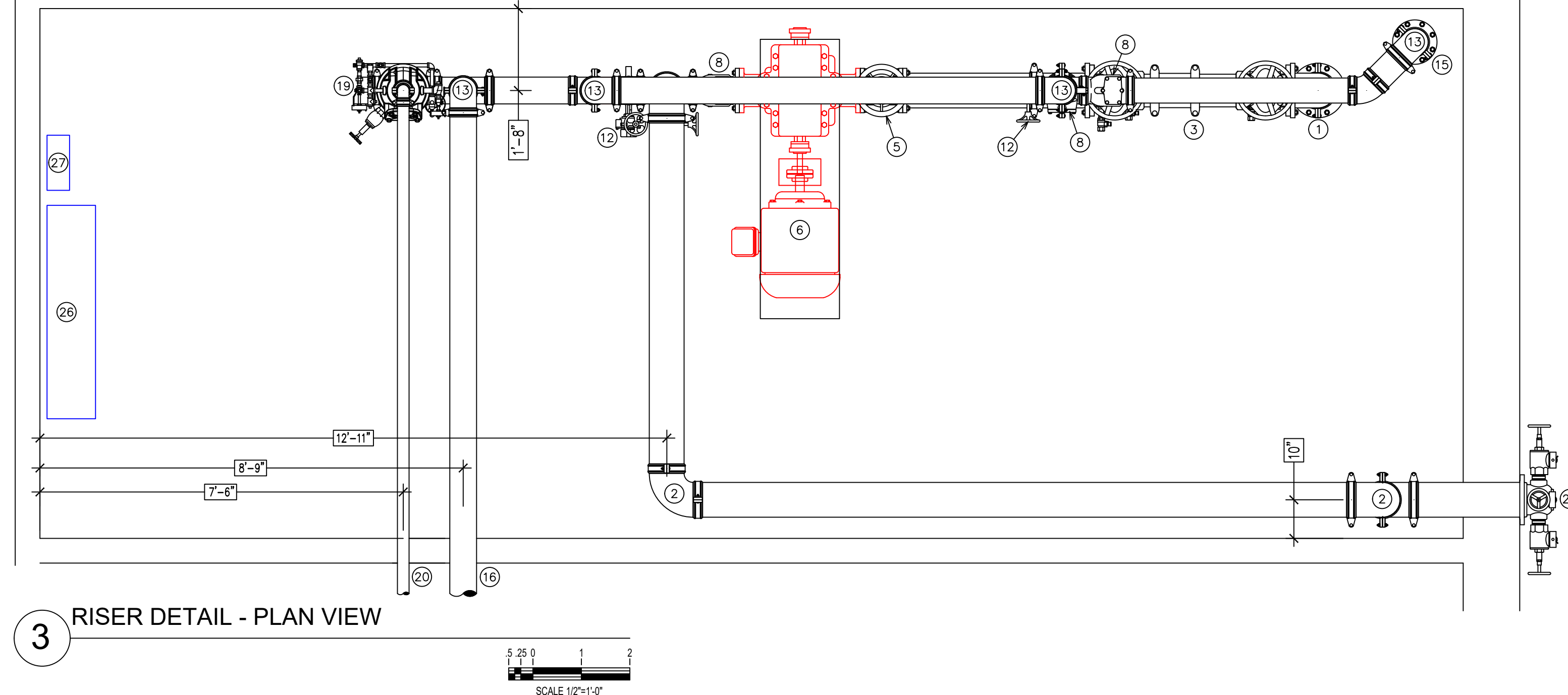
**RISER LEGEND**

1. IF UNDERGROUND WATER SERVICE (BY OTHERS) (PLUMBING & TESTING OF THE UNDERGROUND SHALL BE COMPLETED PRIOR TO THE SPRINKLER SYSTEM HOOKUP. UNDERGROUND PAPERS ARE TO BE SUPPLIED TO THE TP CONTRACTOR BY THE G.C.)
2. 6\"/>



2 RISER DETAIL

1 RISER DETAIL



3 RISER DETAIL - PLAN VIEW

Design Area # 09 HAZARD: OH2  
Zone: 1-1 System Type: WET  
Location: KITCHEN  
Flowing Outlets: 13  
Density: 0.20 Remote Area: 961  
Flow: 571.1 gpm @ 83.9 psi  
Calculation Safety: 23.22 psi  
Includes 250 gpm Hose allowance

Design Area # 10 HAZARD: LIGHT  
Zone: 1-1 System Type: WET  
Location: EXERCISE ROOM  
Flowing Outlets: 5  
Density: 0.10 Remote Area: 1105  
Flow: 317.6 gpm @ 3.73 psi  
Calculation Safety: 74.7 psi  
Includes 100 gpm Hose allowance

Design Area # 11 HAZARD: LIGHT  
Zone: 1-3 System Type: DRY  
Location: BISTRO DINING CANOPY  
Flowing Outlets: 8  
Density: 0.10 Remote Area: 1125  
Flow: 260.5 gpm @ -40.8psi  
Calculation Safety: 118.1 psi  
Includes 100 gpm Hose allowance



910 N. SYCAMORE AVENUE; ST. LOUIS, MO 63105 PHONE: (636) 444-9290

PLAN PHASE 01
DRAWN BY JASON BOSMA
SCALE 1/8" = 1'-0"
DATE 05/20/2021
JOB NUMBER 11687

FBS INDEPENDENT LIVING  
3303 S HOUSTON LEVEL RD  
COLLIERVILLE, TN 38139

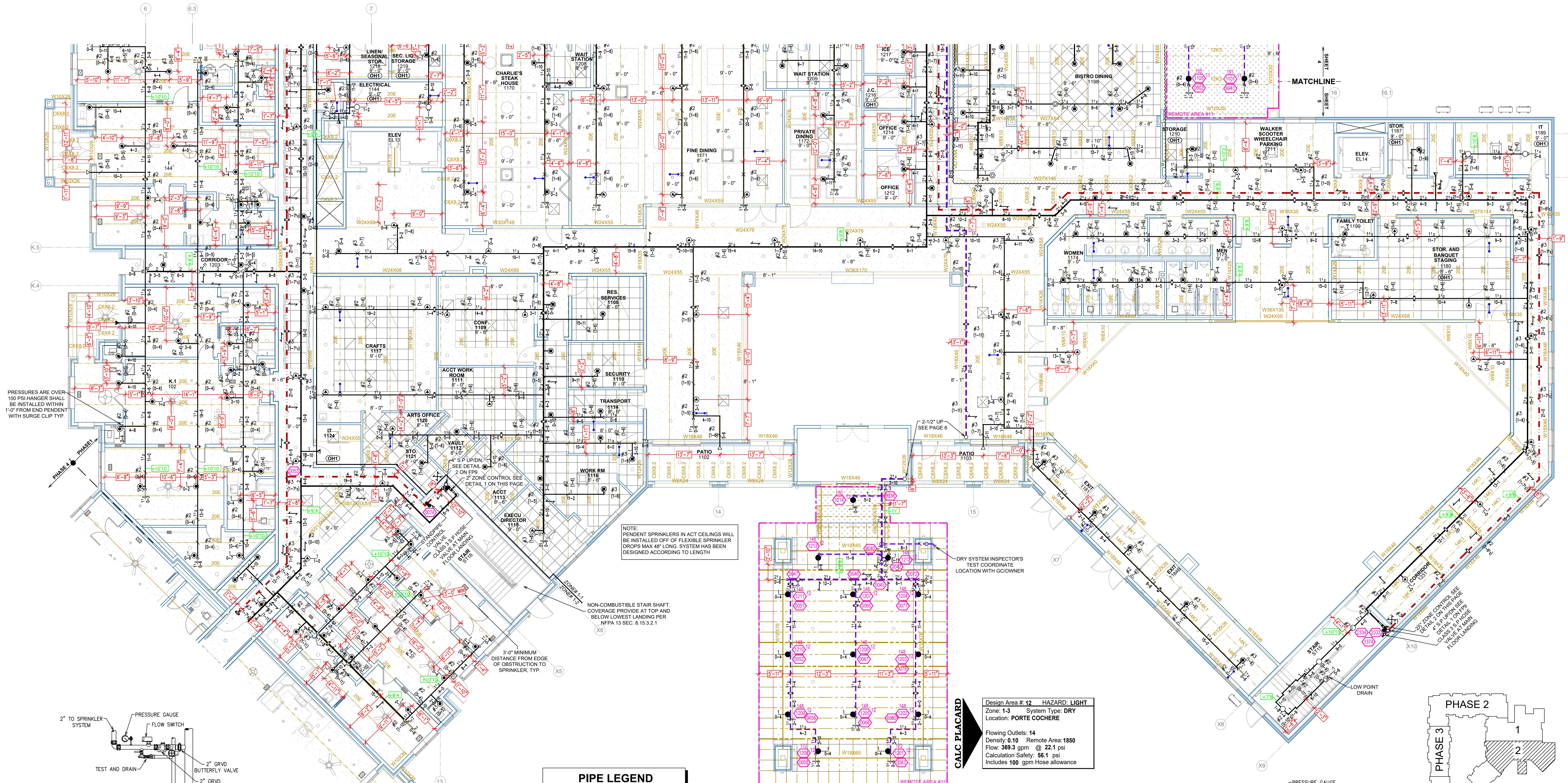
SHEET NUMBER  
5 OF 19



SYM	QTY	POSITION	FINISH	TEMP	K	NPT	SR	MFG.	MODEL#	ESCUTCHEON	HEAD BOX (2 mm)
◊	13	DRY SIDE	CHROME	200	5.60	1"	RA1668	RELIABLE	DM900	STANDARD	N/A
◊	37	PEND	WHITE	155	4.90	1/2"	VK468	VIKING	FREEDOM	SEMI-RECESSED	2
◊	4	PEND	WHITE	175	4.90	1/2"	VK468	VIKING	FREEDOM	SEMI-RECESSED	2
◊	9	UPR	BRASS	200	5.60	1/2"	VK301	VIKING	MICROFAST	N/A	2
◊	59	PEND	CHROME	155	5.60	1/2"	VK302	VIKING	MICROFAST	SEMI-RECESSED	2
◊	50	PEND	CHROME	155	11.20	3/4"	VK534	VIKING	VREO	SEMI-RECESSED	2
◊	11	DRY SIDE	CHROME	200	5.60	1"	VK182	VIKING	VK-DRY	STANDARD	N/A
◊	3	SIDE	CHROME	200	5.60	1/2"	VK305	VIKING	MICROFAST	SEMI-RECESSED	2
◊	6	SPRIG	BRASS	200	5.60	1/2"	VK301	VIKING	MICROFAST	N/A	N/A
◊	14	DRY PEND	CHROME	205	5.60	1"	VK180	VIKING	VK-DRY	SEMI-RECESSED	N/A

184 TOTAL HEADS  
3980 TOTAL FOR JOB

**SPRINKLER HEAD LEGEND**



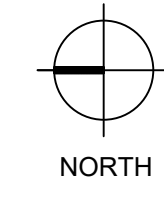
PRESSURES ARE OVER 100 PSI HANGER SHALL BE INSTALLED WITHIN 1'-0" FROM END PENDENT WITH SURGE CLIP TYP.

NOTE: PENDENT SPRINKLERS IN ACT CEILINGS WILL BE INSTALLED OFF OF FLEXIBLE SPRINKLER DROPS. MAX 48" LONG. SYSTEM HAS BEEN DESIGNED ACCORDING TO LENGTH.

NON-COMBUSTIBLE STAIR SHAFT COVERAGE PROVIDED AT TOP AND BELOW LOWEST LANDING PER NFPA 13 SEC. 8.15.3.2.1

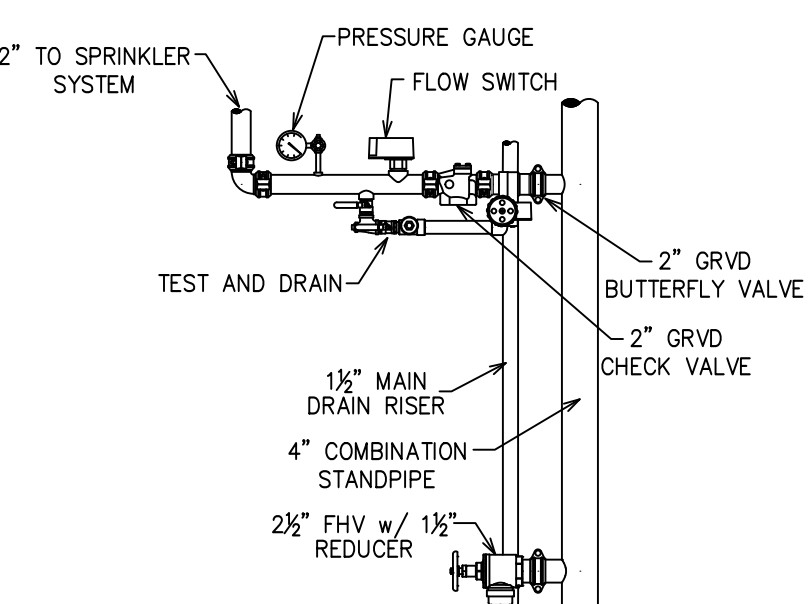
3'-0" MINIMUM DISTANCE FROM EDGE OF OBSTRUCTION TO SPRINKLER TYP.

PIPE LEGEND	
	WET SYSTEM FIRE SPRINKLER PIPING
	DRY SYSTEM FIRE SPRINKLER PIPING
	STANDPIPE PIPING
	FDG PIPING



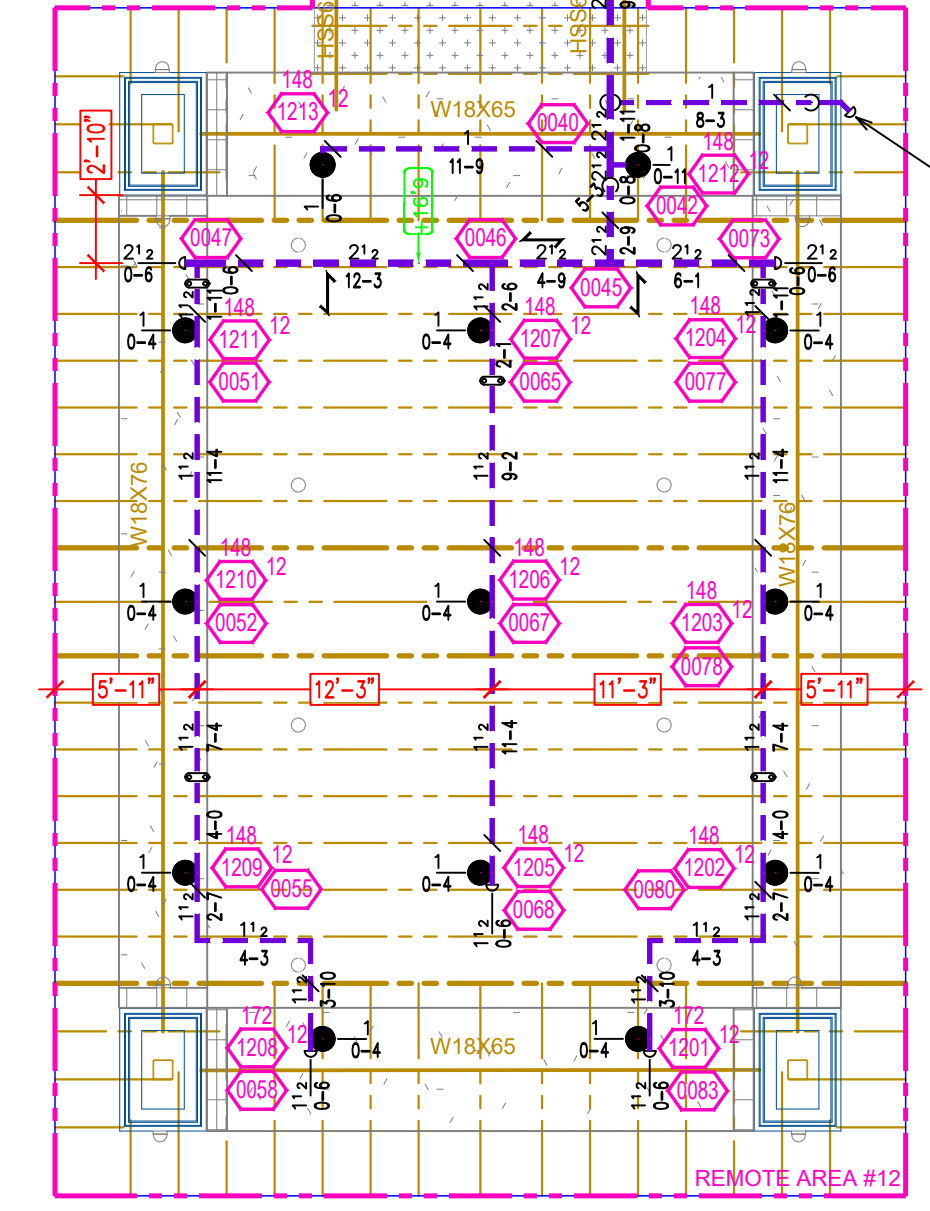
**FIRE SPRINKLER PLAN - FIRST FLOOR AREA 2**

SCALE 1/8"=1'-0"



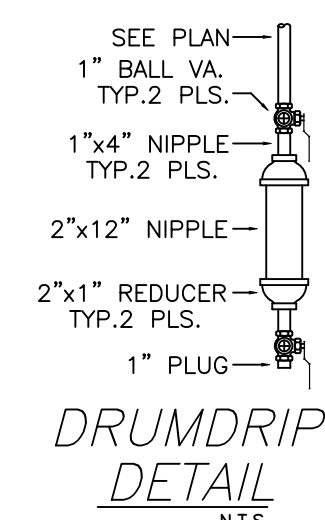
**ZONE CONTROL DETAIL 1**

SCALE 1/2"=1'-0"

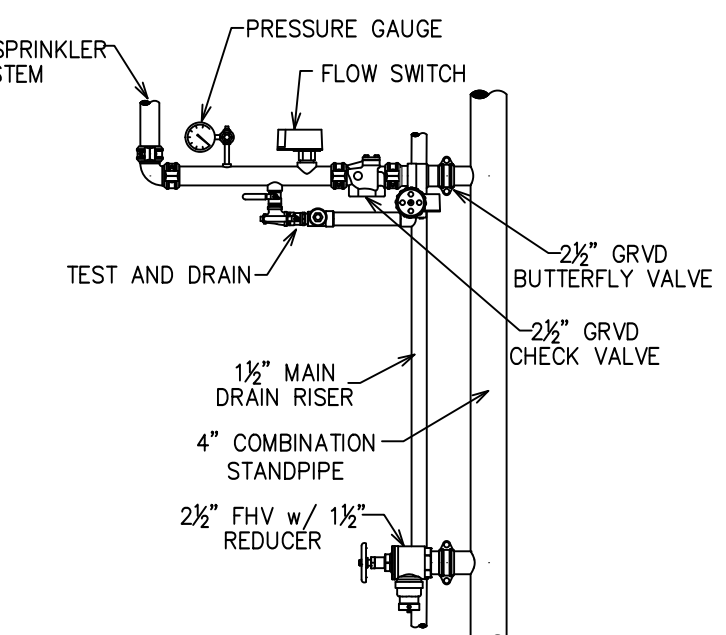


**Design Area # 12 HAZARD: LIGHT**  
Zone: 1-3 System Type: DRY  
Location: PORTE COCHERE  
Flowing Outlets: 14  
Density: 0.10 Remote Area: 1850  
Flow: 369.9 gpm @ 22.1 psi  
Calculation Safety: 56.1 psi  
Includes 100 gpm Hose allowance

**CAIC PLACARD**

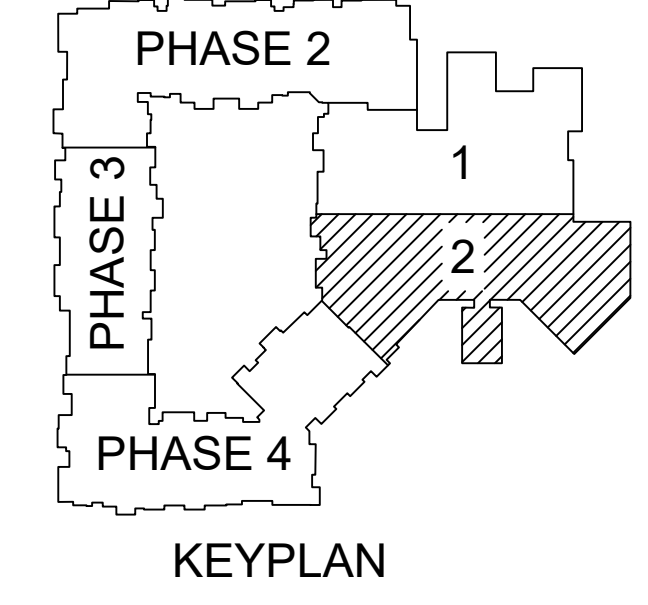


**DRUMRIP DETAIL**



**ZONE CONTROL DETAIL 2**

SCALE 1/2"=1'-0"



**KEYPLAN**



910 N. SYCAMORE AVENUE; STOUX FALLS, SD 57110 PHONE: (605)-444-9290

LEARNING TITLE  
**INTERIOR FIRE SPRINKLER PLAN PHASE 01**

DRAWN BY  
**JASON BOSMA**

SCALE  
**1/8" = 1'-0"**

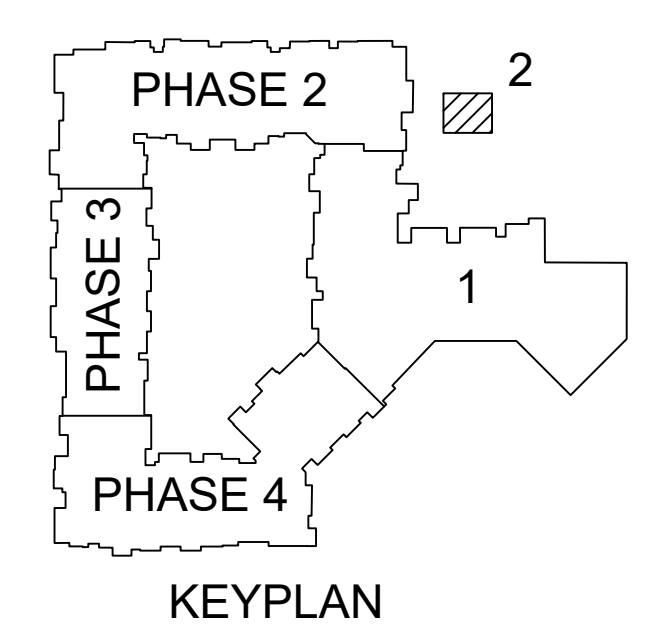
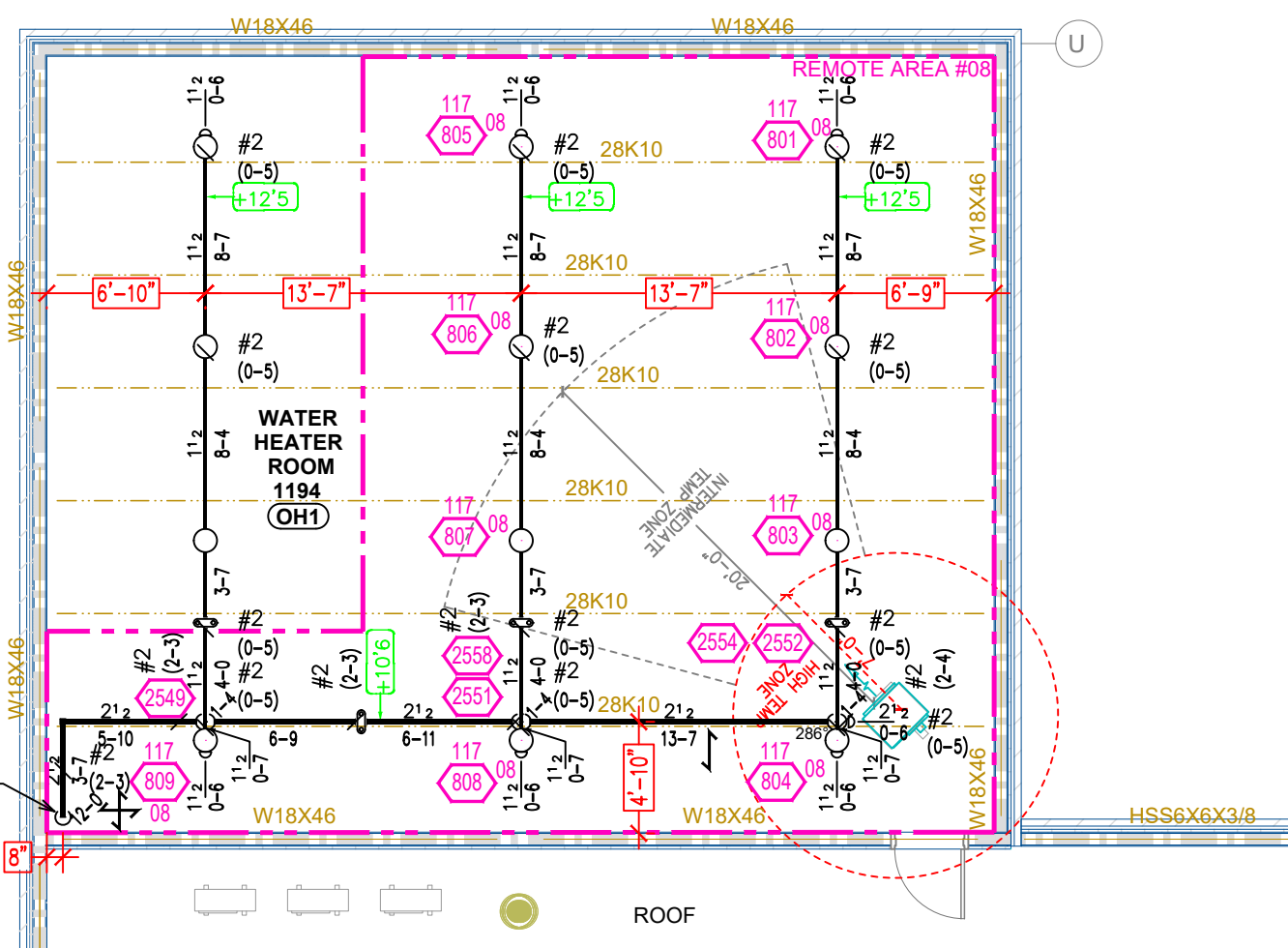
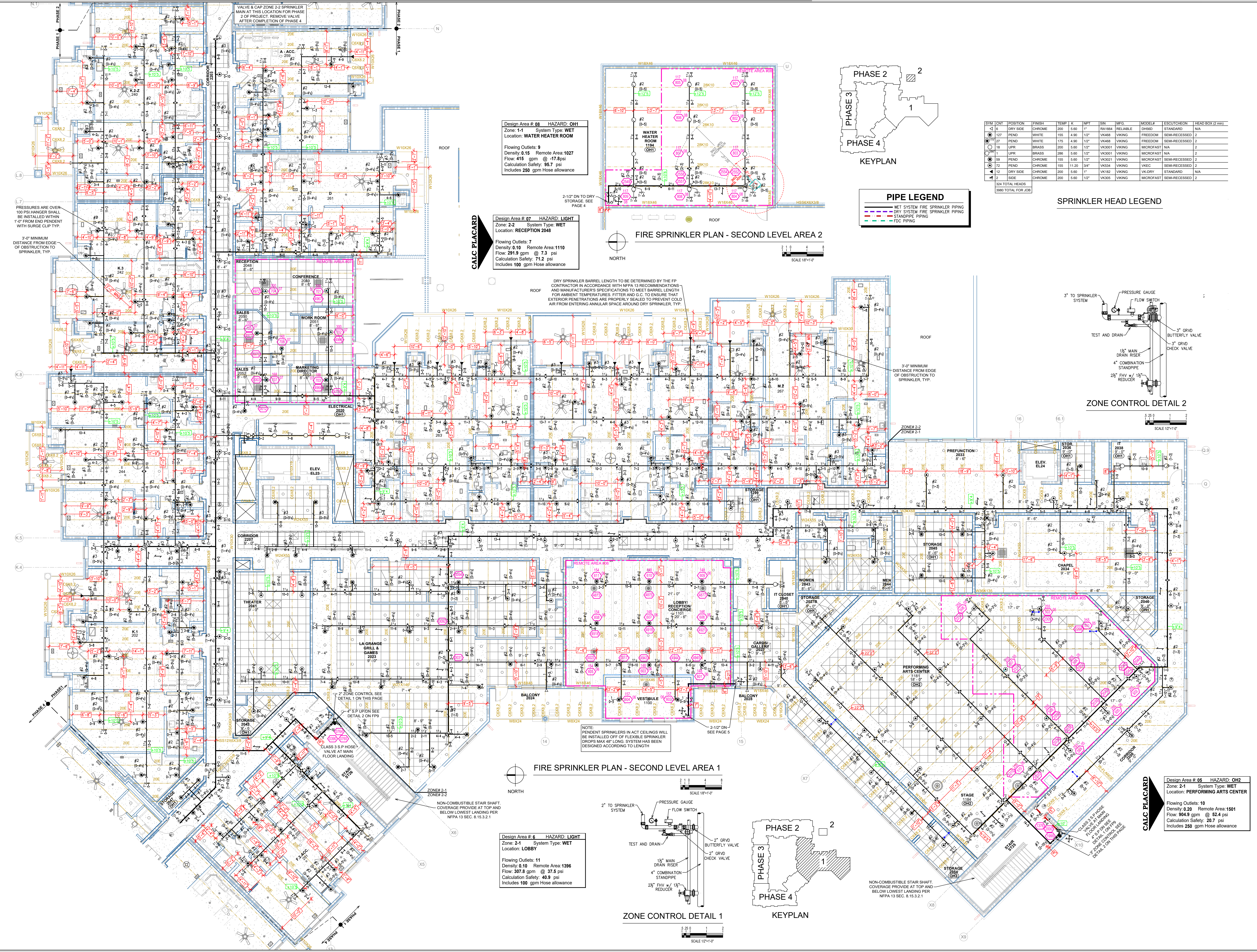
DATE  
**05/20/2021**

JOB NUMBER  
**11687**

**FBS INDEPENDENT LIVING**  
**3303 S HOUSTON LEVELL RD**  
**COLLIERVILLE, TN 38139**

SHEET NUMBER  
**6 OF 19**





**PIPE LEGEND**

- WET SYSTEM FIRE SPRINKLER PIPING
- DRY SYSTEM FIRE SPRINKLER PIPING
- STANDPIPE PIPING
- FDC PIPING

**SPRINKLER HEAD LEGEND**

SYM	QTY	POSITION	FINISH	TEMP	K	NPT	SIN	MFG	MODEL#	ESLUTCHEON	HEAD BOX (2 min)
137	PEND	WHITE	185	4.90	12"	W4680	VYKING	FREEDOM	SEM-RECESSED	2	N/A
27	PEND	WHITE	175	4.90	12"	W4680	VYKING	FREEDOM	SEM-RECESSED	2	N/A
18	UPR	BRASS	200	5.60	12"	VK3001	VYKING	MICROFAST	NA	2	N/A
1	UPR	BRASS	286	5.60	12"	VK3001	VYKING	MICROFAST	NA	2	N/A
59	PEND	CHROME	155	5.60	12"	VK3001	VYKING	MICROFAST	SEM-RECESSED	2	N/A
72	PEND	CHROME	155	11.20	34"	VK534	VYKING	VNIC	SEM-RECESSED	2	N/A
12	DRY SIDE	CHROME	200	5.60	1"	VK182	VYKING	WK DRY	STANDARD	N/A	N/A
2	SIDE	CHROME	200	5.60	12"	VK300	VYKING	MICROFAST	SEM-RECESSED	2	N/A

334 TOTAL HEADS  
3860 TOTAL FOR JOB

**Design Area # 08 HAZARD: OH1**  
 Zone: 1-1 System Type: WET  
 Location: WATER HEATER ROOM  
 Flowing Outlets: 9  
 Density: 0.15 Remote Area: 1027  
 Flow: 415 gpm @ -17.8psi  
 Calculation Safety: 95.7 psi  
 Includes 250 gpm Hose allowance

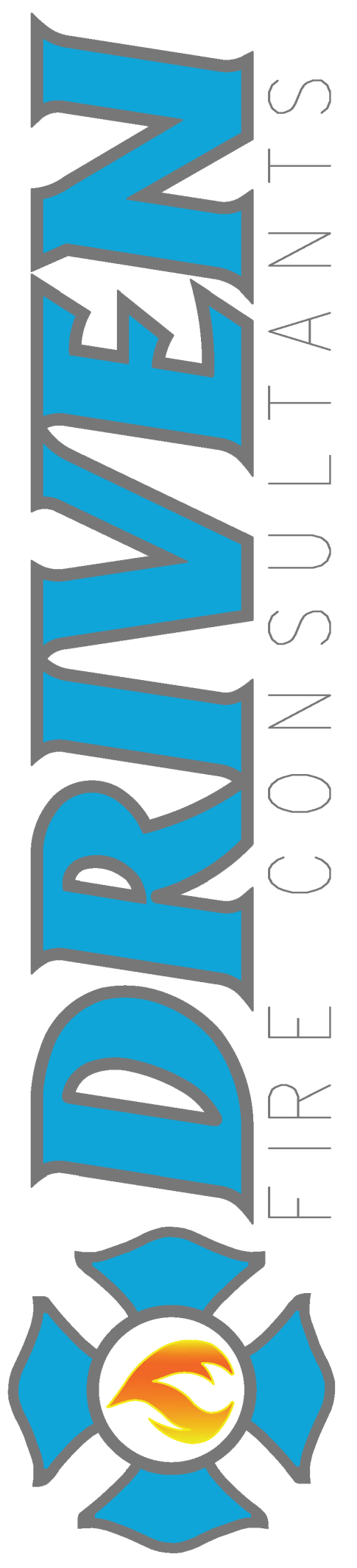
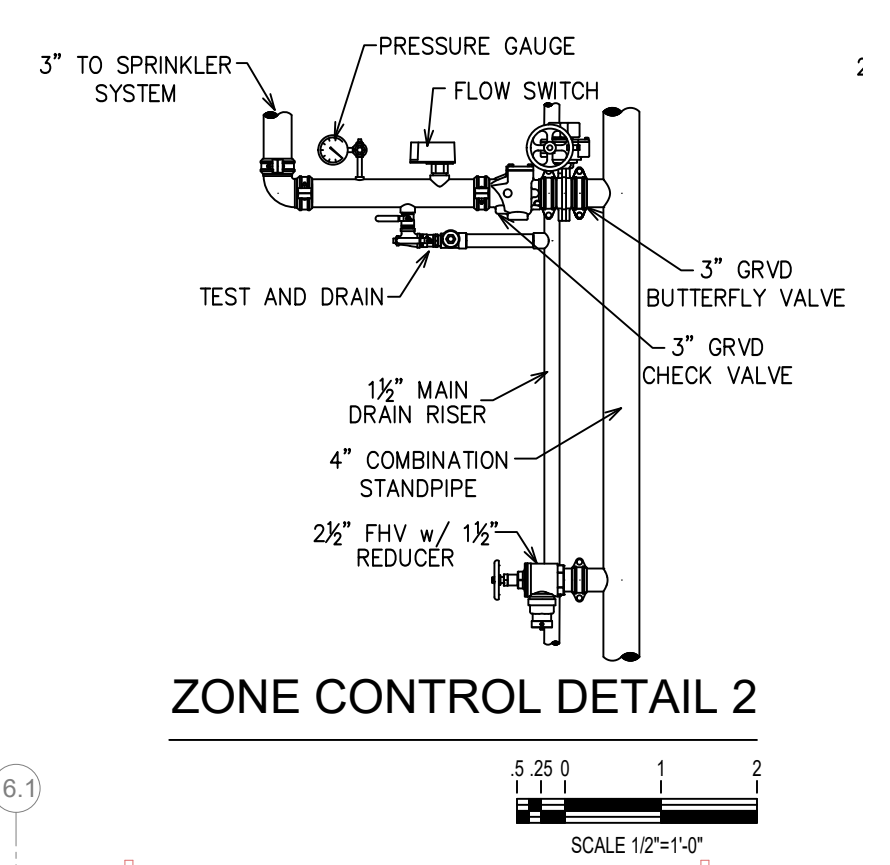
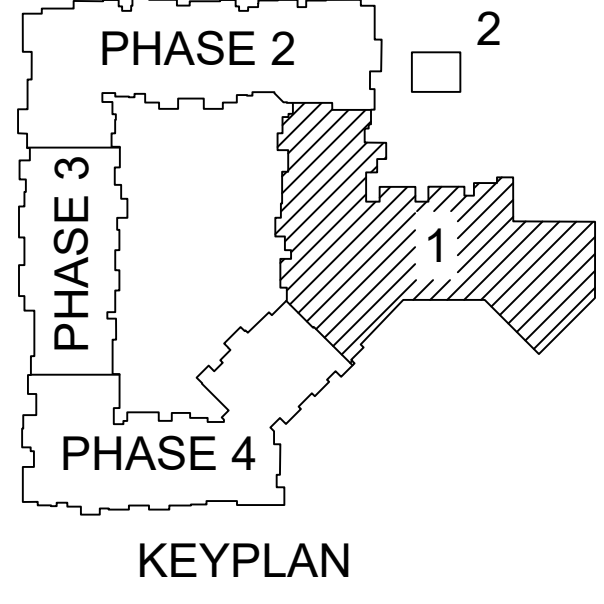
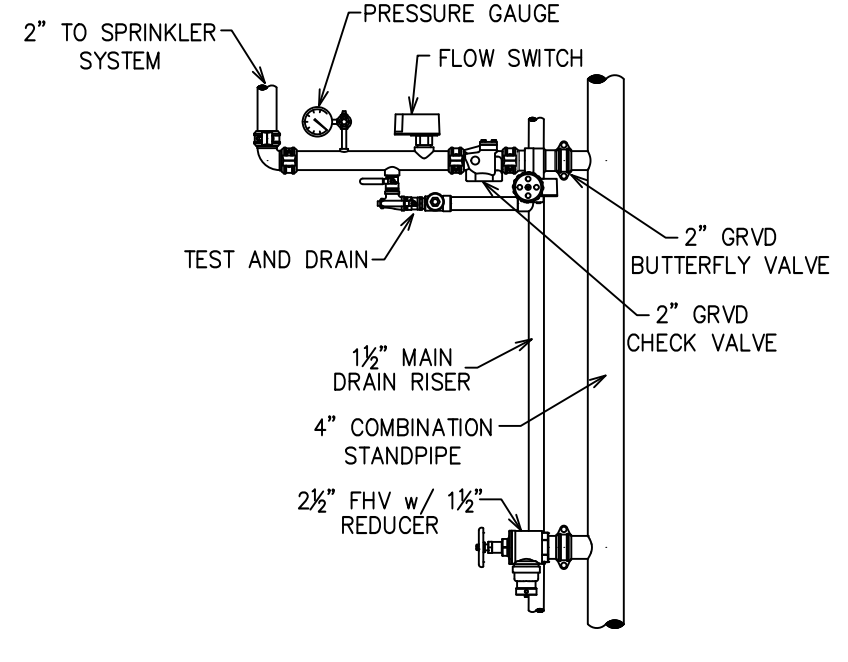
**Design Area # 07 HAZARD: LIGHT**  
 Zone: 2-2 System Type: WET  
 Location: RECEPTION 2048  
 Flowing Outlets: 7  
 Density: 0.10 Remote Area: 1110  
 Flow: 291.9 gpm @ 7.3 psi  
 Calculation Safety: 71.2 psi  
 Includes 100 gpm Hose allowance

DRY SPRINKLER BARREL LENGTH TO BE DETERMINED BY THE FP CONTRACTOR IN ACCORDANCE WITH NFPA 13 RECOMMENDATIONS AND MANUFACTURER'S SPECIFICATIONS TO MEET BARREL LENGTH FOR AMBIENT TEMPERATURES. FITTER AND G.C. TO ENSURE THAT EXTERIOR PENETRATIONS ARE PROPERLY SEALED TO PREVENT COLD AIR FROM ENTERING ANNULAR SPACE AROUND DRY SPRINKLER, TYP.

**FIRE SPRINKLER PLAN - SECOND LEVEL AREA 1**  
 SCALE 1/8"=1'-0"  
 NORTH

**Design Area # 6 HAZARD: LIGHT**  
 Zone: 2-1 System Type: WET  
 Location: LOBBY  
 Flowing Outlets: 11  
 Density: 0.10 Remote Area: 1396  
 Flow: 307.8 gpm @ 37.5 psi  
 Calculation Safety: 40.9 psi  
 Includes 100 gpm Hose allowance

**Design Area # 05 HAZARD: OH2**  
 Zone: 2-1 System Type: WET  
 Location: PERFORMING ARTS CENTER  
 Flowing Outlets: 10  
 Density: 0.20 Remote Area: 1501  
 Flow: 904.9 gpm @ 52.4 psi  
 Calculation Safety: 20.7 psi  
 Includes 250 gpm Hose allowance



910 N. SYCAMORE AVENUE | ST. LOUIS, MO 63110 | PHONE: (636) 444-9290

DRAWING TITLE  
 INTERIOR FIRE SPRINKLER PLAN PHASE 01

DRAWN BY  
 JASON BOSMA

SCALE  
 1/8" = 1'-0"

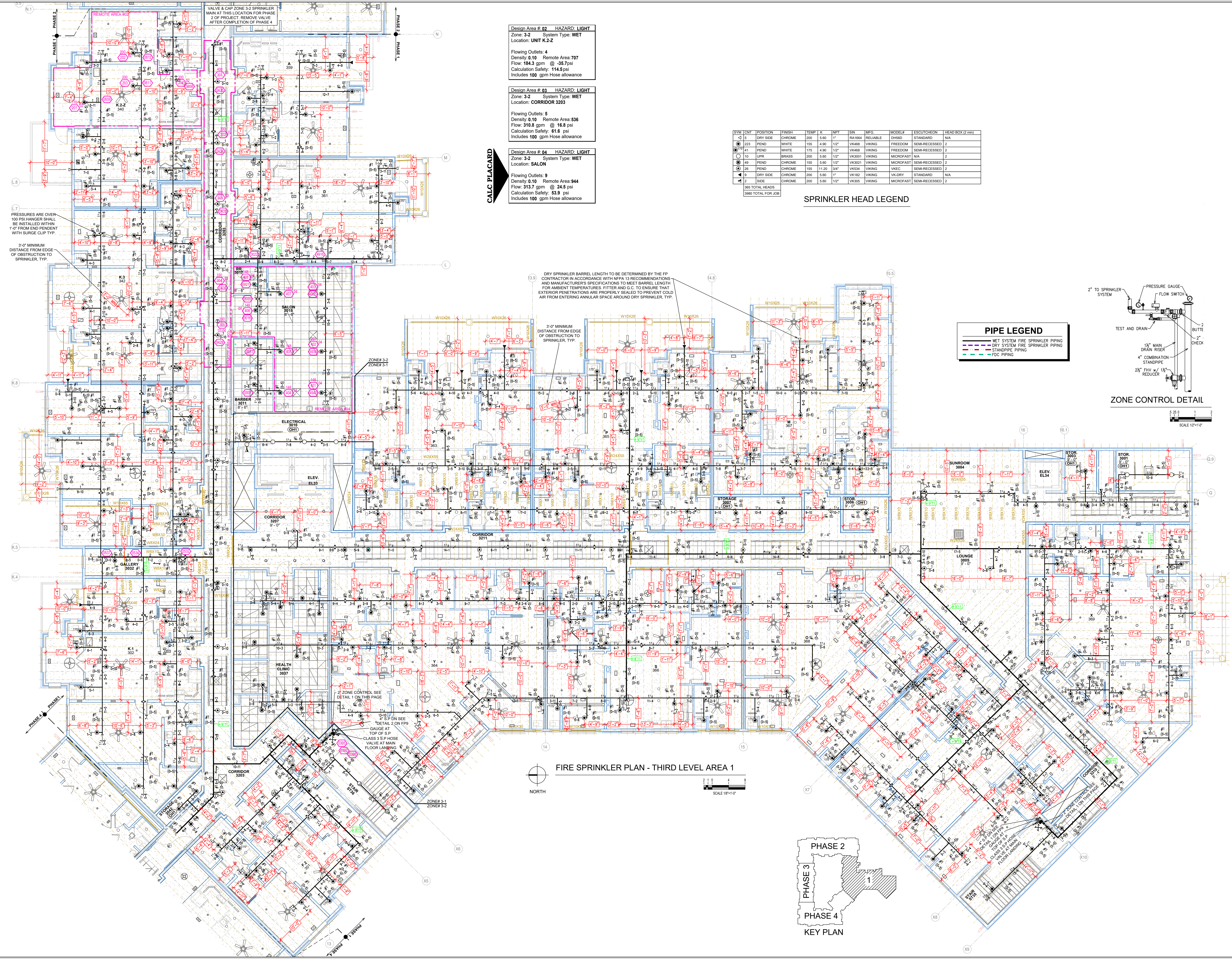
DATE  
 09/02/2020

JOB NUMBER  
 11687

FBS INDEPENDENT LIVING  
 3303 S HOUSTON LEVEL RD  
 COLLIERVILLE, TN 38139

SHEET NUMBER  
 7 OF 19





**Design Area # 02 HAZARD LIGHT**  
Zone: 3-2 System Type: WET  
Location: UNIT K-2-Z

Flowing Outlets: 4  
Density: 0.10 Remote Area: 707  
Flow: 184.3 gpm @ 35.7 psi  
Calculation Safety: 114.5 psi  
Includes 100 gpm Hose allowance

**Design Area # 03 HAZARD LIGHT**  
Zone: 3-2 System Type: WET  
Location: CORRIDOR 3203

Flowing Outlets: 5  
Density: 0.10 Remote Area: 536  
Flow: 310.8 gpm @ 16.8 psi  
Calculation Safety: 61.6 psi  
Includes 100 gpm Hose allowance

**Design Area # 04 HAZARD LIGHT**  
Zone: 3-2 System Type: WET  
Location: SALON

Flowing Outlets: 9  
Density: 0.10 Remote Area: 944  
Flow: 313.7 gpm @ 24.5 psi  
Calculation Safety: 53.9 psi  
Includes 100 gpm Hose allowance

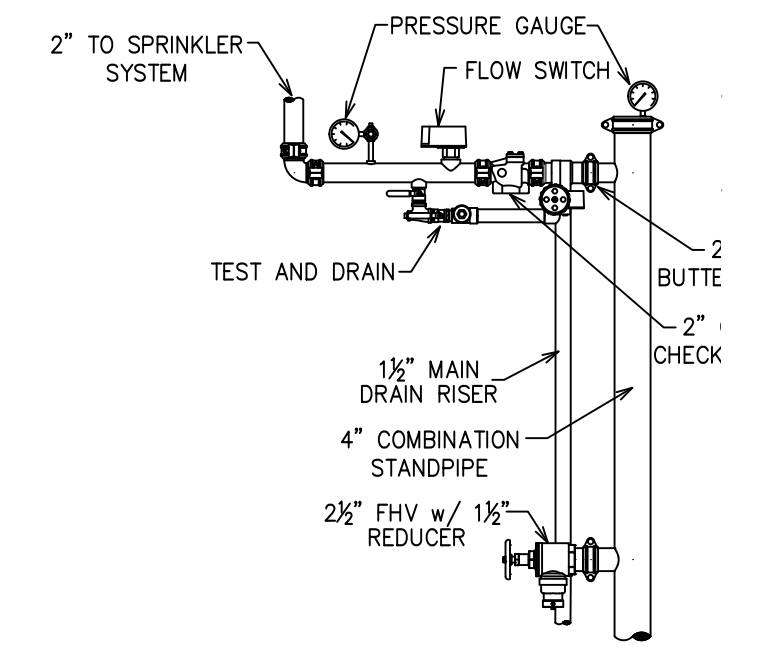
CALC PLACARD

SYM	CNT	POSITION	FINISH	TEMP	K	NPT	SIN	MFG	MODEL#	ESCU/CECON	HEAD BOX (2 mm)
5	5	DRY SIDE	CHROME	200	5.60	1"	RA1664	RELIABLE	DHSD	STANDARD	N/A
223	223	PEND	WHITE	155	4.90	1/2"	VK468	VIKING	FREEDOM	SEMI-RECESSED	2
41	41	PEND	WHITE	175	4.00	1/2"	VK468	VIKING	FREEDOM	SEMI-RECESSED	2
10	10	UPR	BRASS	200	5.60	1/2"	VK3001	VIKING	MICROFAST	N/A	2
49	49	PEND	CHROME	155	5.60	1/2"	VK3021	VIKING	MICROFAST	SEMI-RECESSED	2
26	26	PEND	CHROME	155	11.20	3/4"	VK334	VIKING	VKEC	SEMI-RECESSED	2
9	9	DRY SIDE	CHROME	200	5.60	1"	VK182	VIKING	VK-DRY	STANDARD	N/A
2	2	DRY	CHROME	200	5.60	1/2"	VK306	VIKING	MICROFAST	SEMI-RECESSED	2
365		TOTAL HEADS									
380		TOTAL FOR JOB									

SPRINKLER HEAD LEGEND

**PIPE LEGEND**

- WET SYSTEM FIRE SPRINKLER PIPING
- DRY SYSTEM FIRE SPRINKLER PIPING
- STANDPIPE PIPING
- FDC PIPING

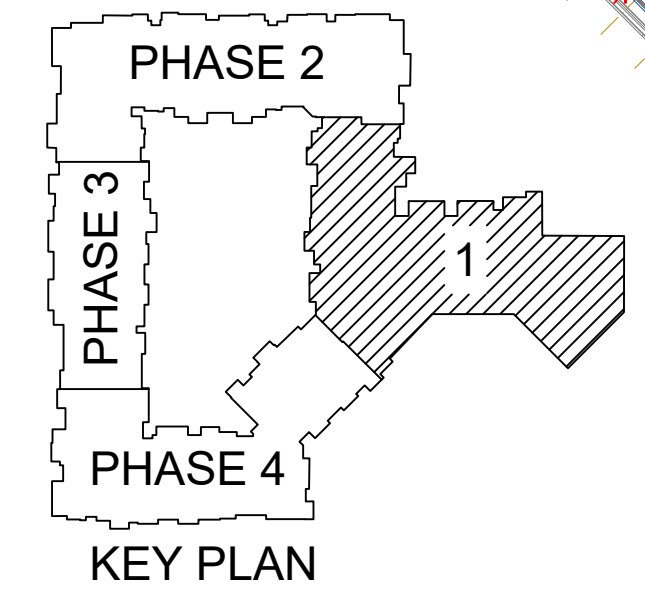


ZONE CONTROL DETAIL  
SCALE 1/2" = 1'-0"

13 DRY SPRINKLER BARREL LENGTH TO BE DETERMINED BY THE FP CONTRACTOR IN ACCORDANCE WITH NFPA 13 RECOMMENDATIONS AND MANUFACTURERS SPECIFICATIONS TO MEET BARREL LENGTH FOR AMBIENT TEMPERATURES. FITTER AND G.C. TO ENSURE THAT EXTERIOR PENETRATIONS ARE PROPERLY SEALED TO PREVENT COLD AIR FROM ENTERING ANNULAR SPACE AROUND DRY SPRINKLER, TYP.

3'-0" MINIMUM DISTANCE FROM EDGE OF OBSTRUCTION TO SPRINKLER, TYP.

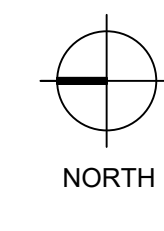
FIRE SPRINKLER PLAN - THIRD LEVEL AREA 1  
SCALE 1/8" = 1'-0"



17 PRESSURES ARE OVER 100 PSI HANGER SHALL BE INSTALLED WITHIN 1'-0" FROM END PENDENT WITH SURGE CLIP TYP.

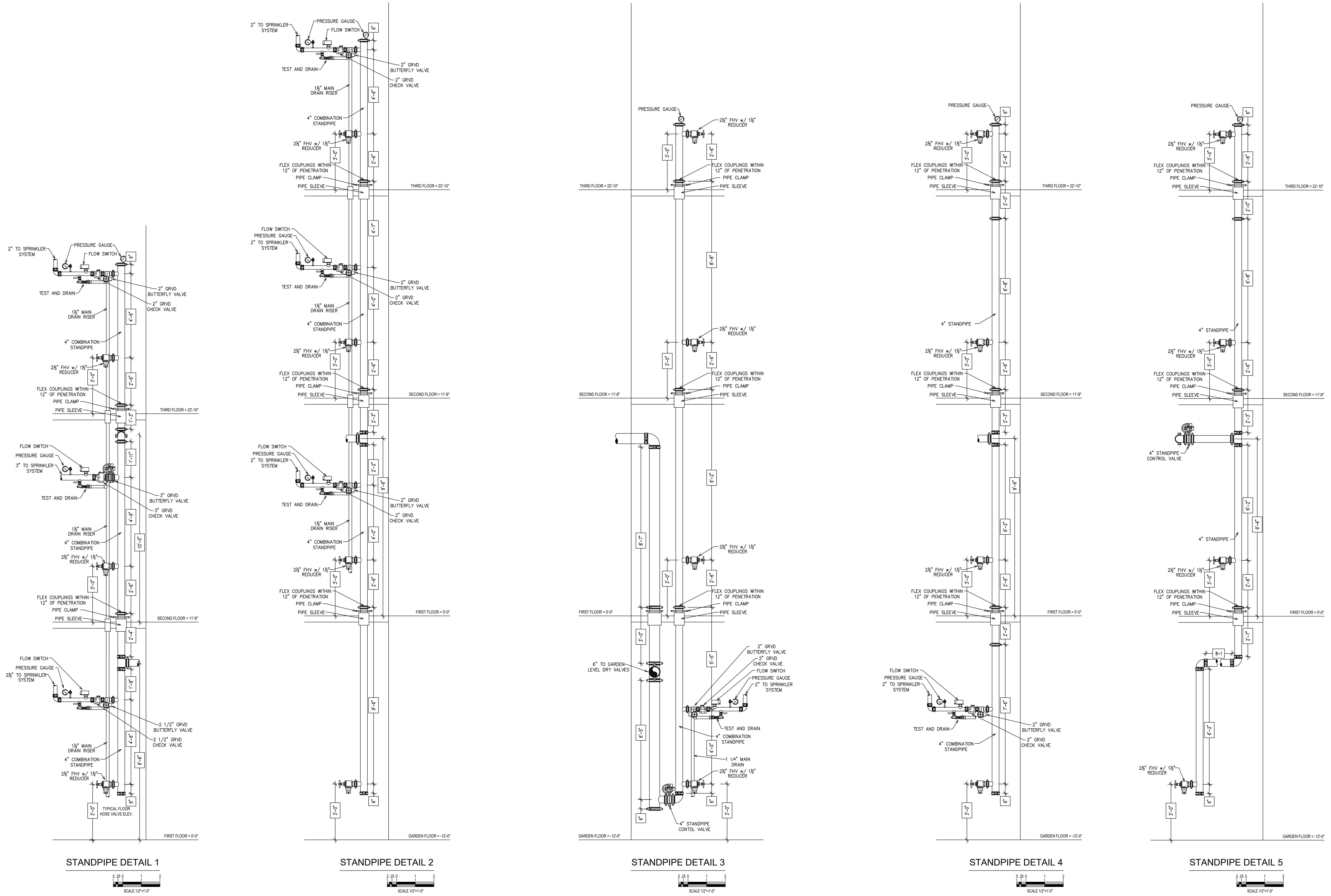
3'-0" MINIMUM DISTANCE FROM EDGE OF OBSTRUCTION TO SPRINKLER, TYP.

27 ZONE CONTROL SEE DETAIL 1 ON THIS PAGE  
15-18 S.P. ON SEE DETAIL 2 ON P99  
GAUGE AT TOP OF S.P.  
CLASS 3 S.P. HOSE VALVE AT MAIN FLOOR LANDING



NORTH





**DETAILS**

DRAWN BY  
**JASON BOSMA**

SCALE  
1/2" = 1'-0"

DATE  
02/11/2021

JOB NUMBER  
11687

**FBS INDEPENDENT LIVING  
3303 S HOUSTON LEVELL RD  
COLLIERVILLE, TN 38139**

SHEET NUMBER  
**9 OF 19**